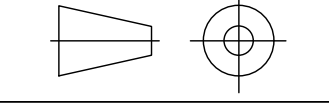


THIRD ANGLE PROJECTION

 THIS DRAWING IS CONFIDENTIAL AND MAY NOT BE USED, COPIED OR DISCLOSED TO ANYONE WITHOUT THE PERMISSION OF ECOTEC

ECOTEC		Ecotec, Clooncommons Castleconnell, Co Limerick V94PK00, Ireland	
PRODUCT CODE ST-0-2-420		PRODUCT DESCRIPTION INTERCEPTOR	
Drawn By:	T.H.	Checked By:	G.M.
Approved By:	G.M.	REV	1
Drawn Date:	20/12/2021	Checked Date:	20/12/2021
Approved Date:	20/12/2021	SIZE	A3
			SHEET 1 OF 1
			SCALE 1:5

