

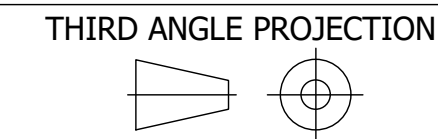
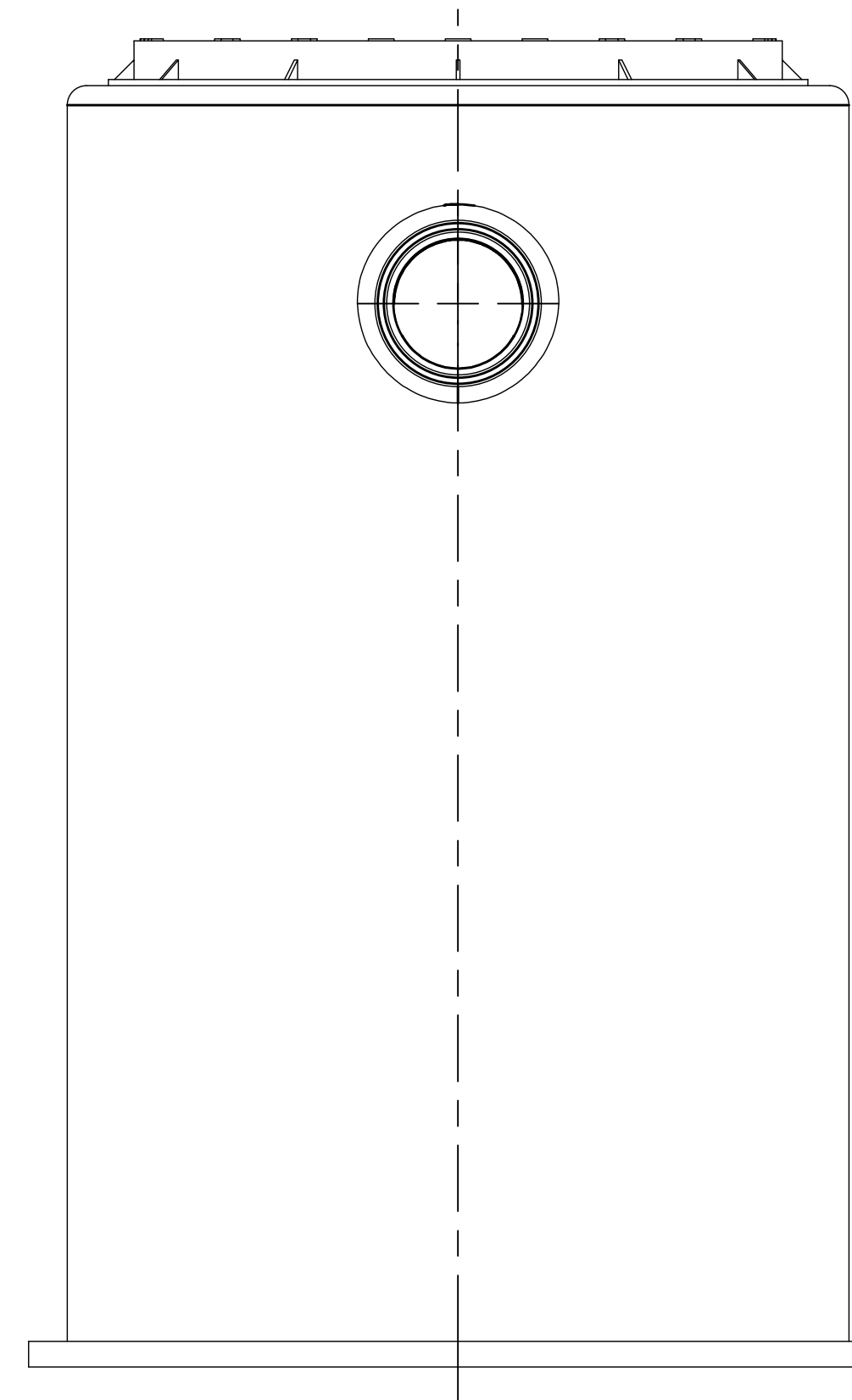
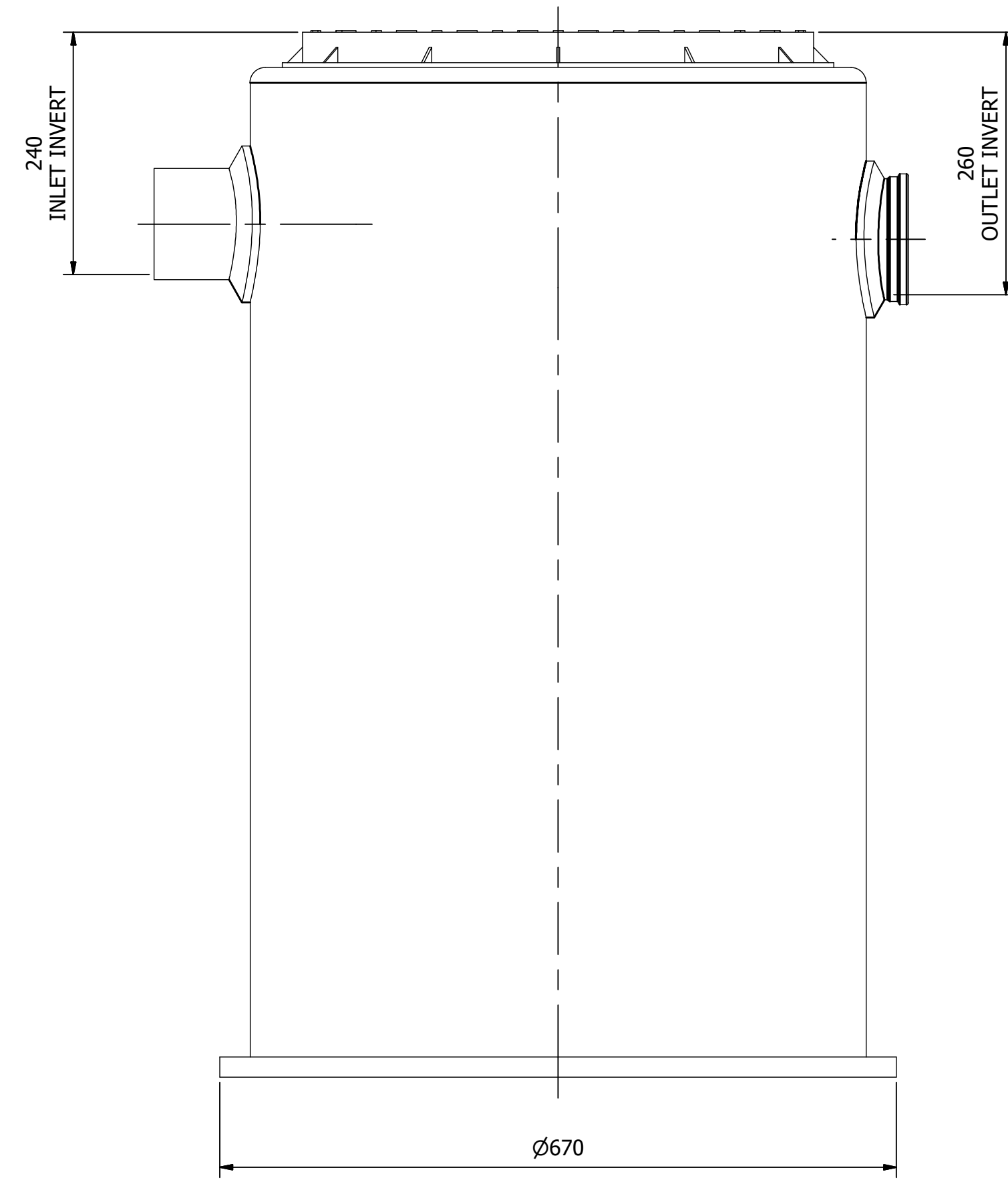
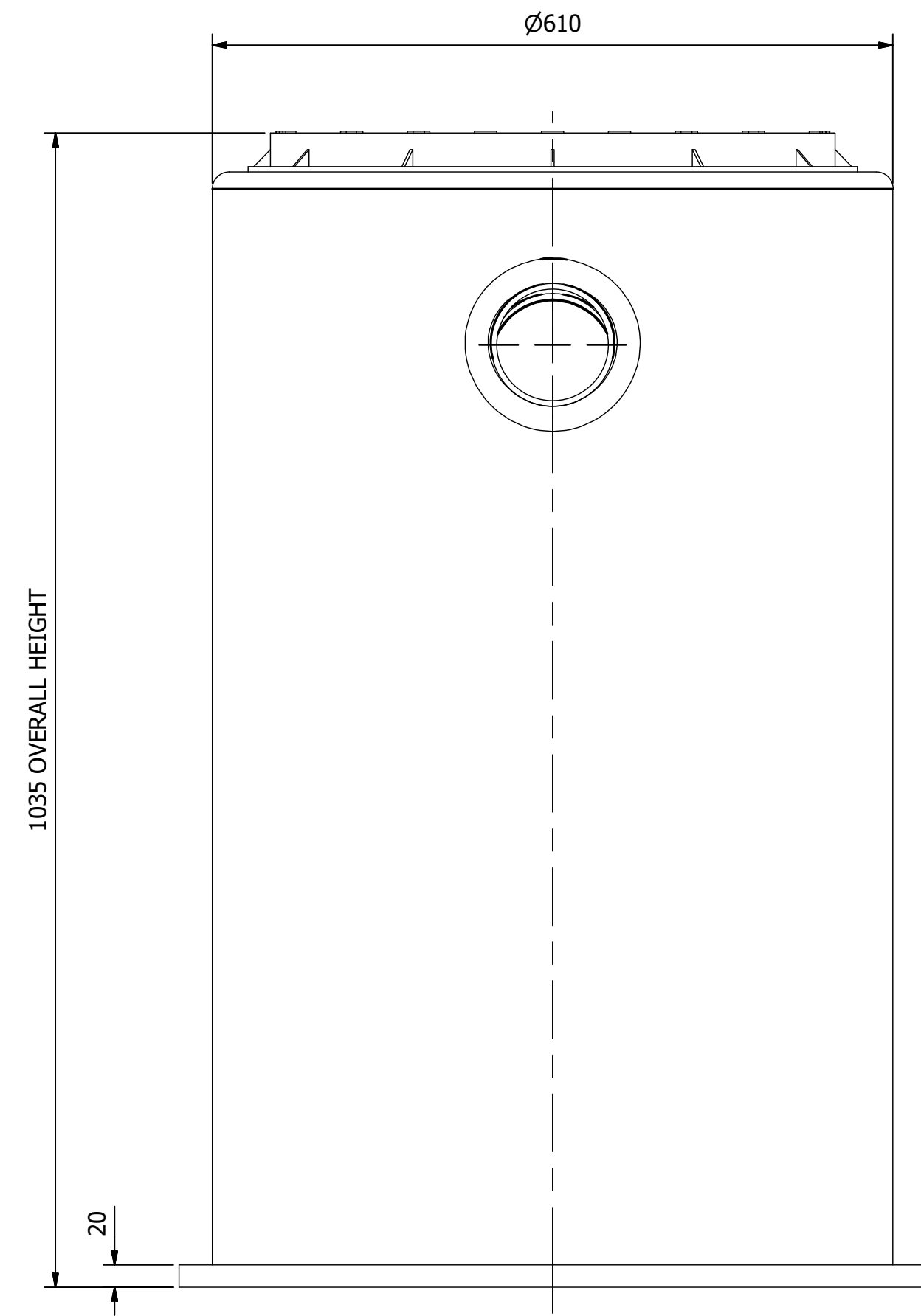
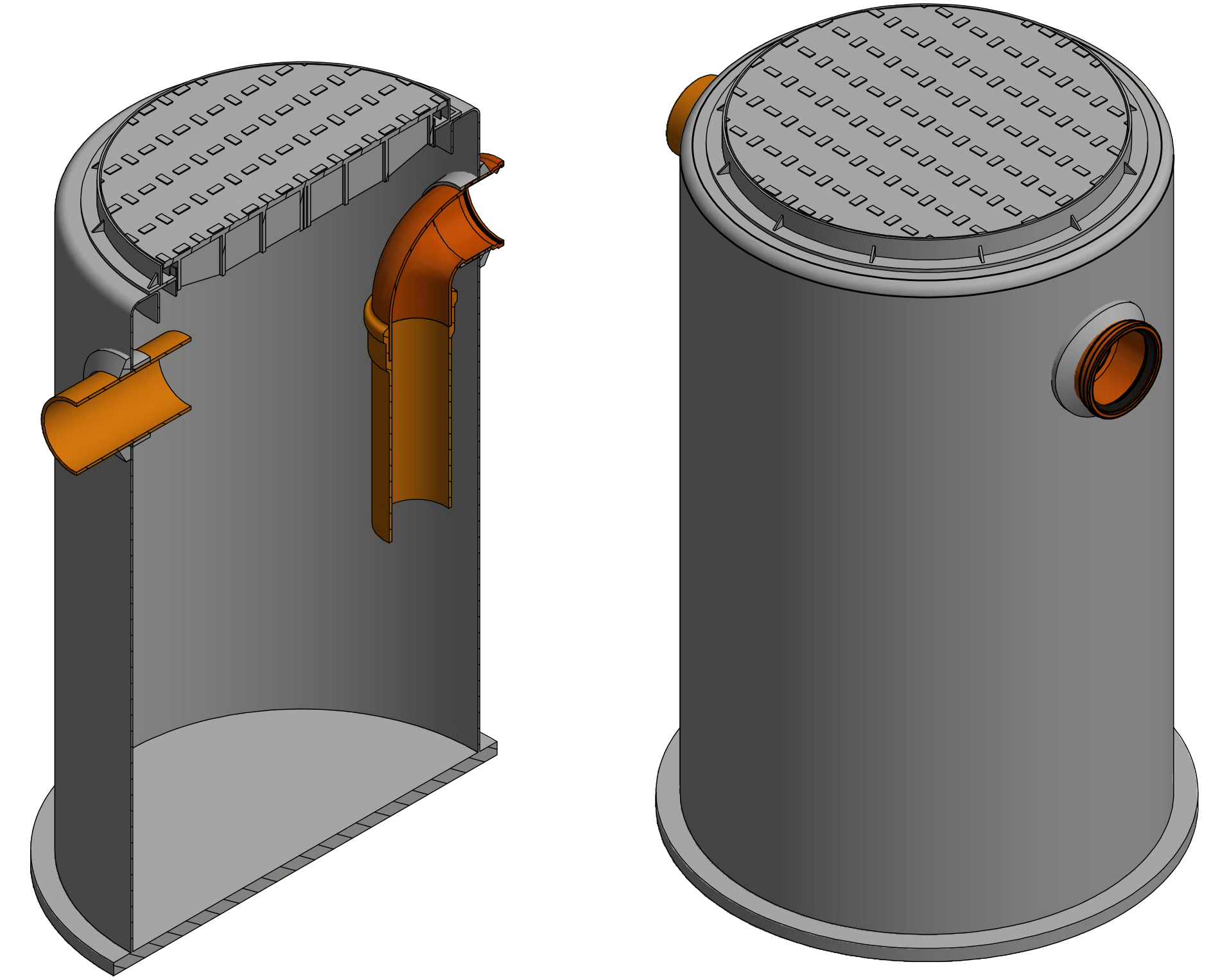
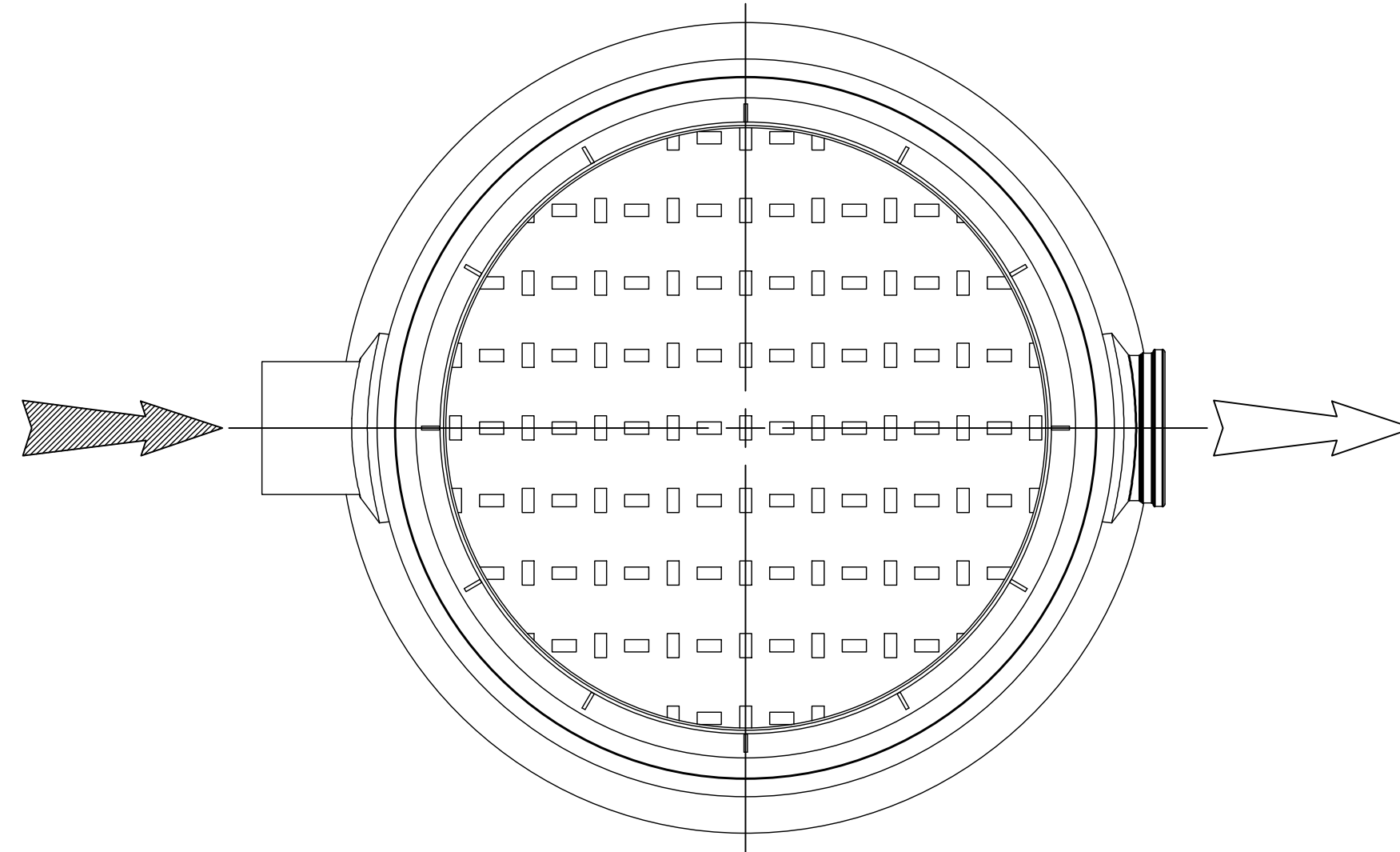
NOTES:

UNITS SUPPLIED WITH 450 PEDESTRIAN RATED INSPECTION COVER AND FRAME.

INLET - FLEX SEAL TO SUIT 110 EN1401 PIPE

OUTLET - FLEX SEAL TO SUIT 110 EN1401 PIPE
c/w MID LEVEL DIP PIPE

200 LITRE NOMINAL CAPACITY



THIS DRAWING IS CONFIDENTIAL AND MAY NOT BE USED, COPIED OR DISCLOSED TO ANYONE WITHOUT THE PERMISSION OF ECOTEC

ECOTEC Ecotec, Clooncommons
Castleconnell, Co Limerick
V94PK00, Ireland

PRODUCT CODE ETST200		PRODUCT DESCRIPTION SILT TRAP						
Drawn By:	T.H.	Checked By:	G.M.	Approved By:	G.M.	REV	1	SHEET 1 OF 1
Drawn Date:	25/01/2021	Checked Date:	25/01/2021	Approved Date:	25/01/2021	SIZE	A3	SCALE 1:5