

NOTES:

UNITS SUPPLIED WITH 450 PEDESTRIAN RATED INSPECTION COVER AND FRAME.

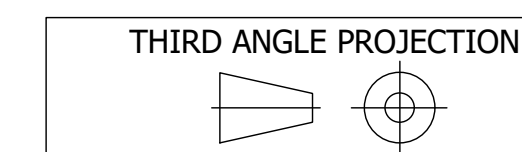
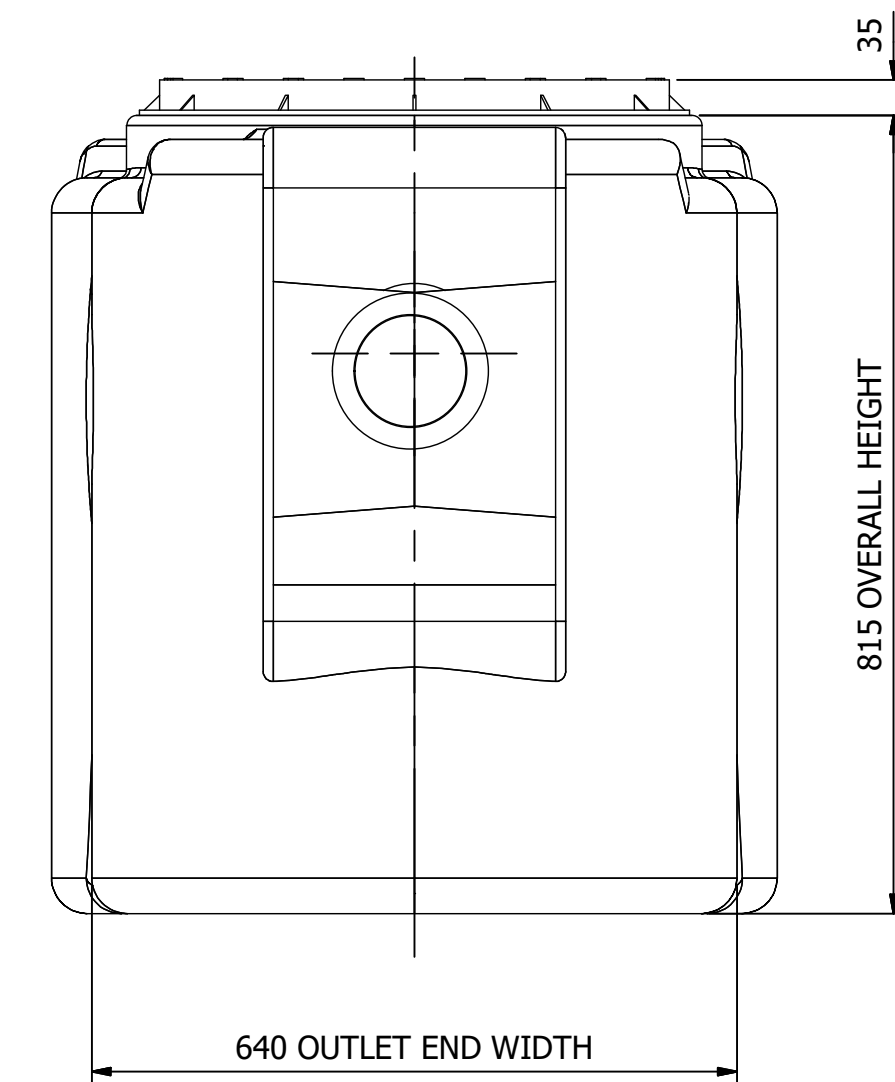
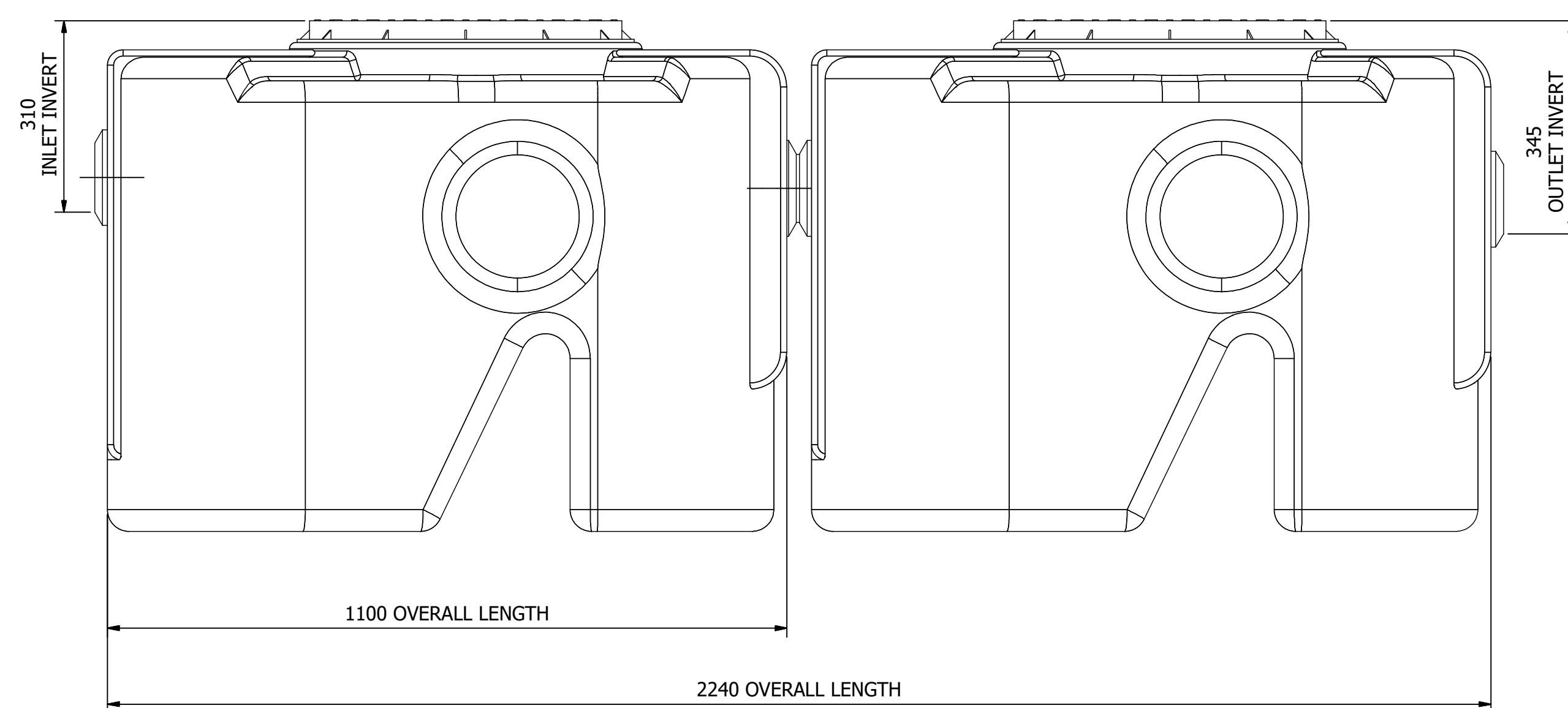
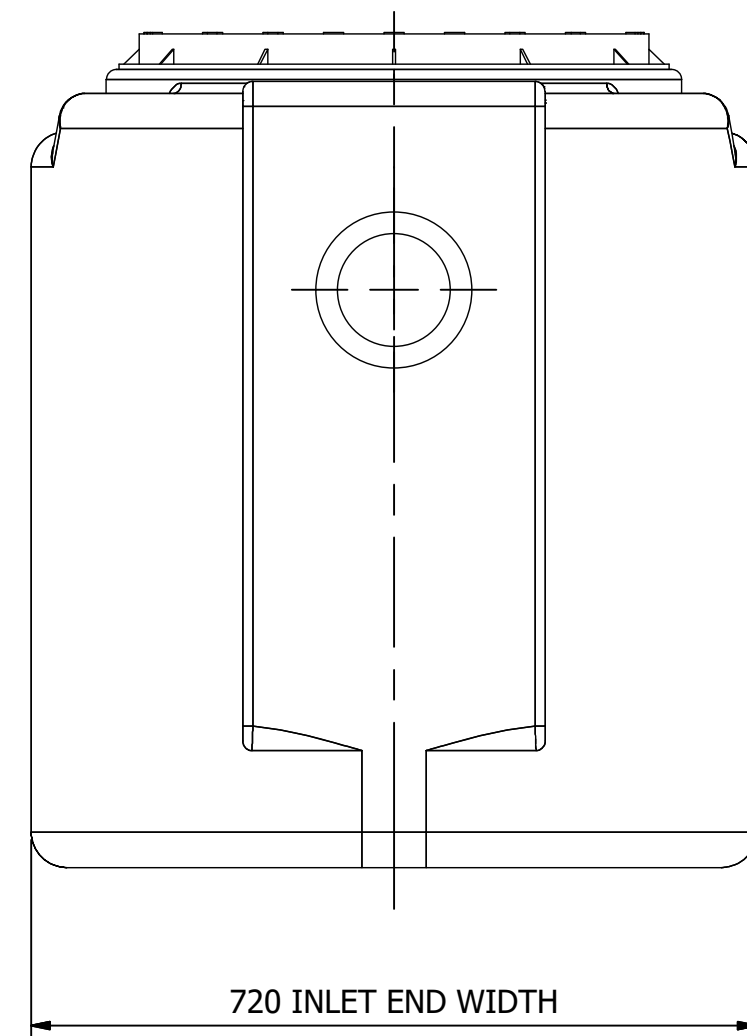
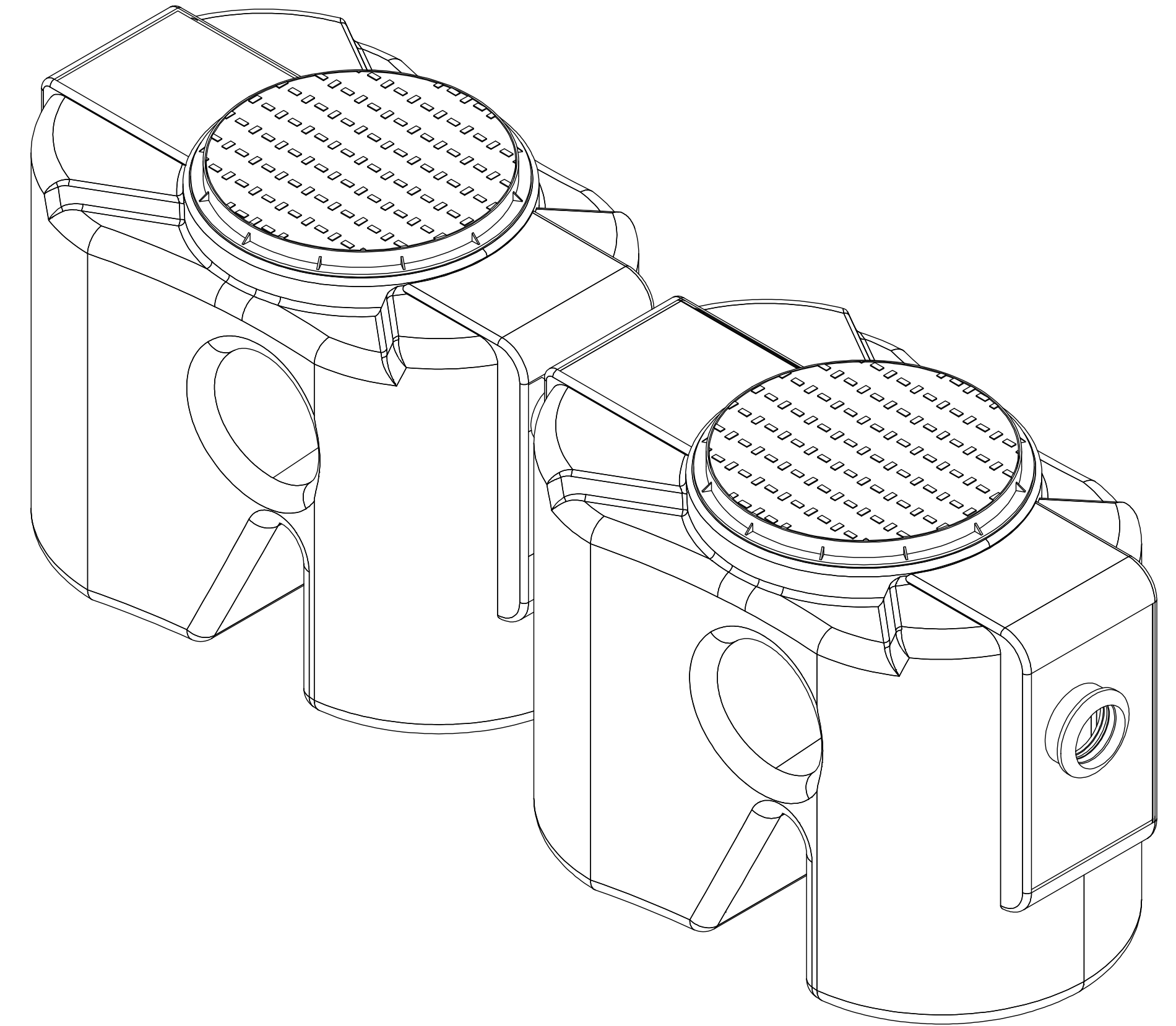
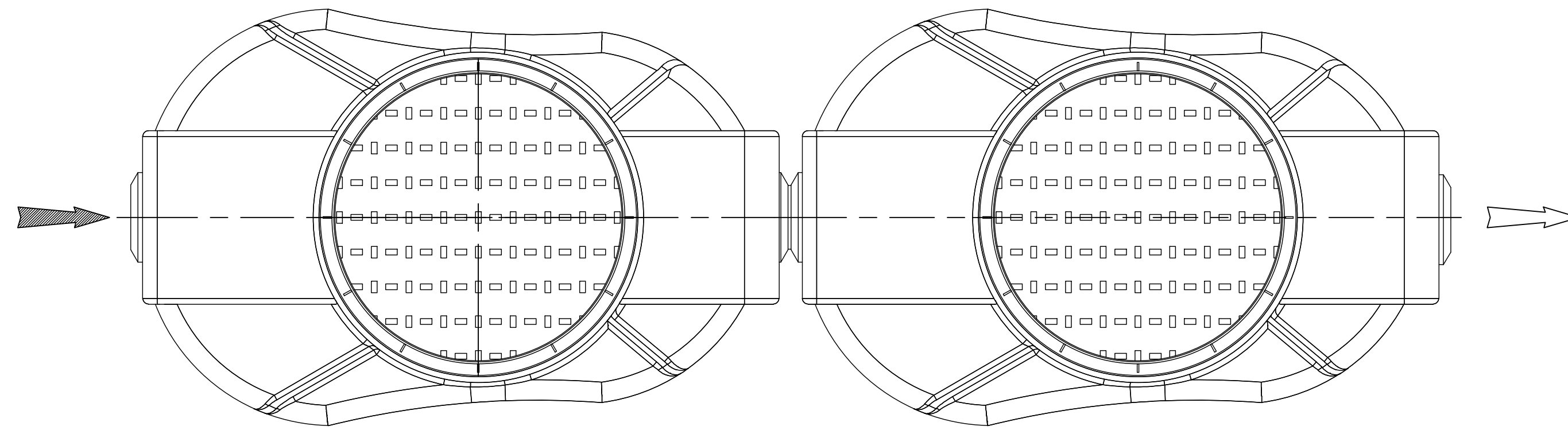
INLET - FLEX SEAL TO SUIT 110 EN1401 PIPE

OUTLET - FLEX SEAL TO SUIT 110 EN1401 PIPE

300 LITRE NOMINAL CAPACITY

500 LITRE SLUDGE CAPACITY

WEIGHT - 35g (17.5kg/UNIT)



THIS DRAWING IS CONFIDENTIAL AND MAY NOT BE USED, COPIED OR DISCLOSED TO ANYONE WITHOUT THE PERMISSION OF ECOTEC

**ECOTEC** Ecotec, Clooncommons  
Castleconnell, Co Limerick  
V94PK00, Ireland

PRODUCT CODE		PRODUCT DESCRIPTION						
Jumbo		JUMBO 600 Litre						
Drawn By:	T.H.	Checked By:	G.M.	Approved By:	G.M.	REV	1	SHEET 1 OF 1
Drawn Date:	20/10/2020	Checked Date:	21/10/2020	Approved Date:	21/10/2020	SIZE	A3	SCALE 1:7.5