

NOTES:

UNITS SUPPLIED WITH 450 PEDESTRIAN RATED INSPECTION COVER AND FRAME.

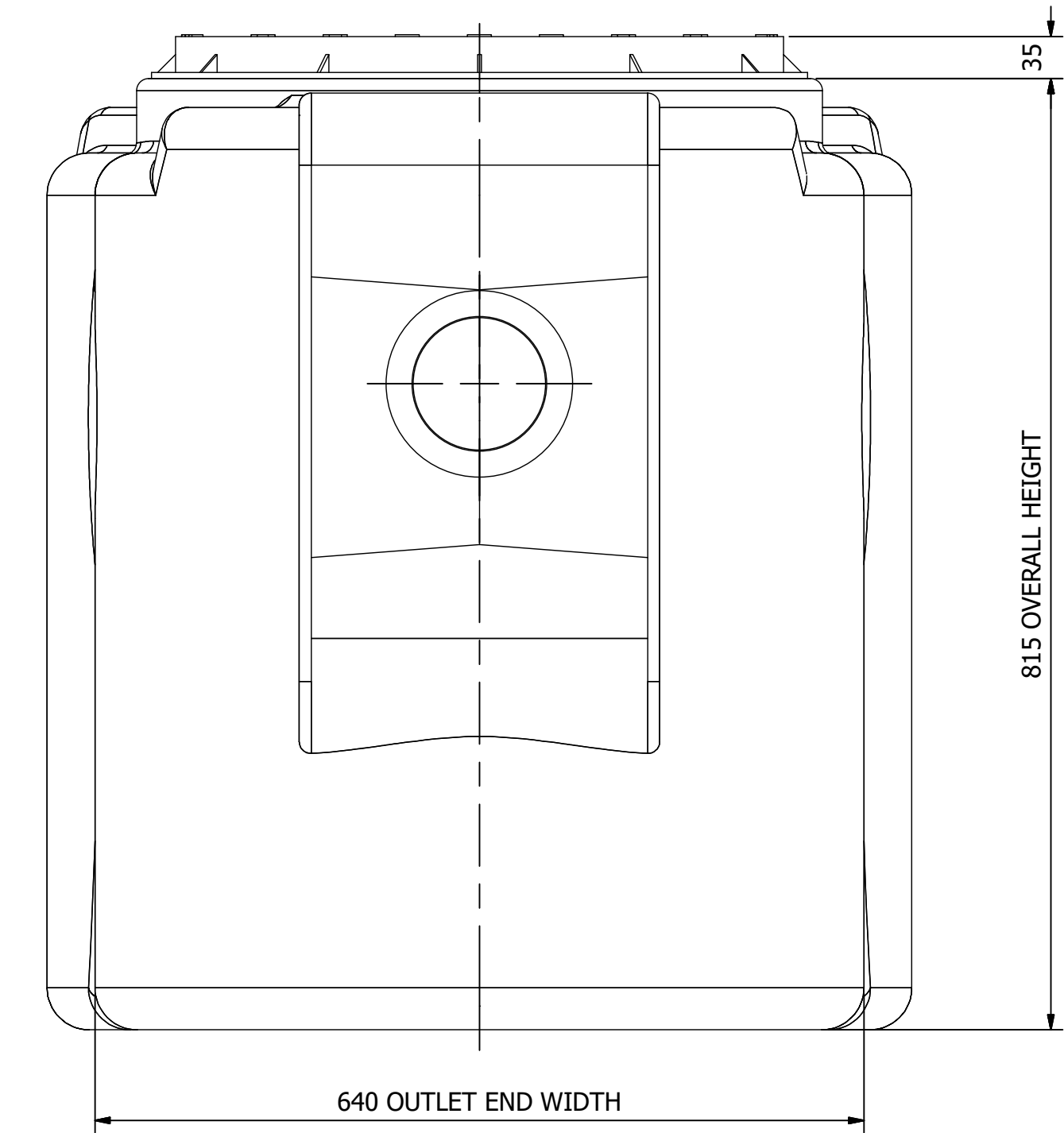
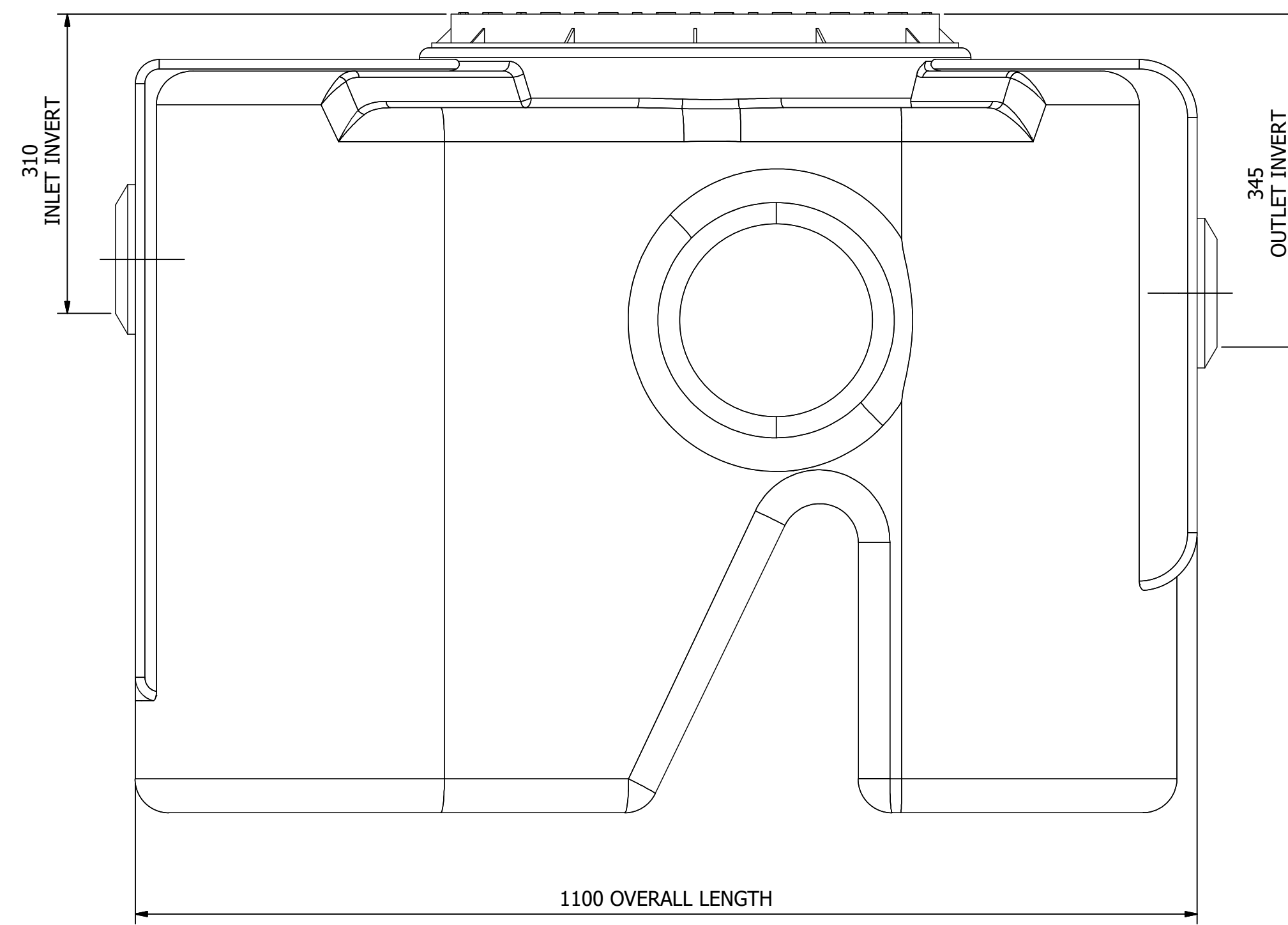
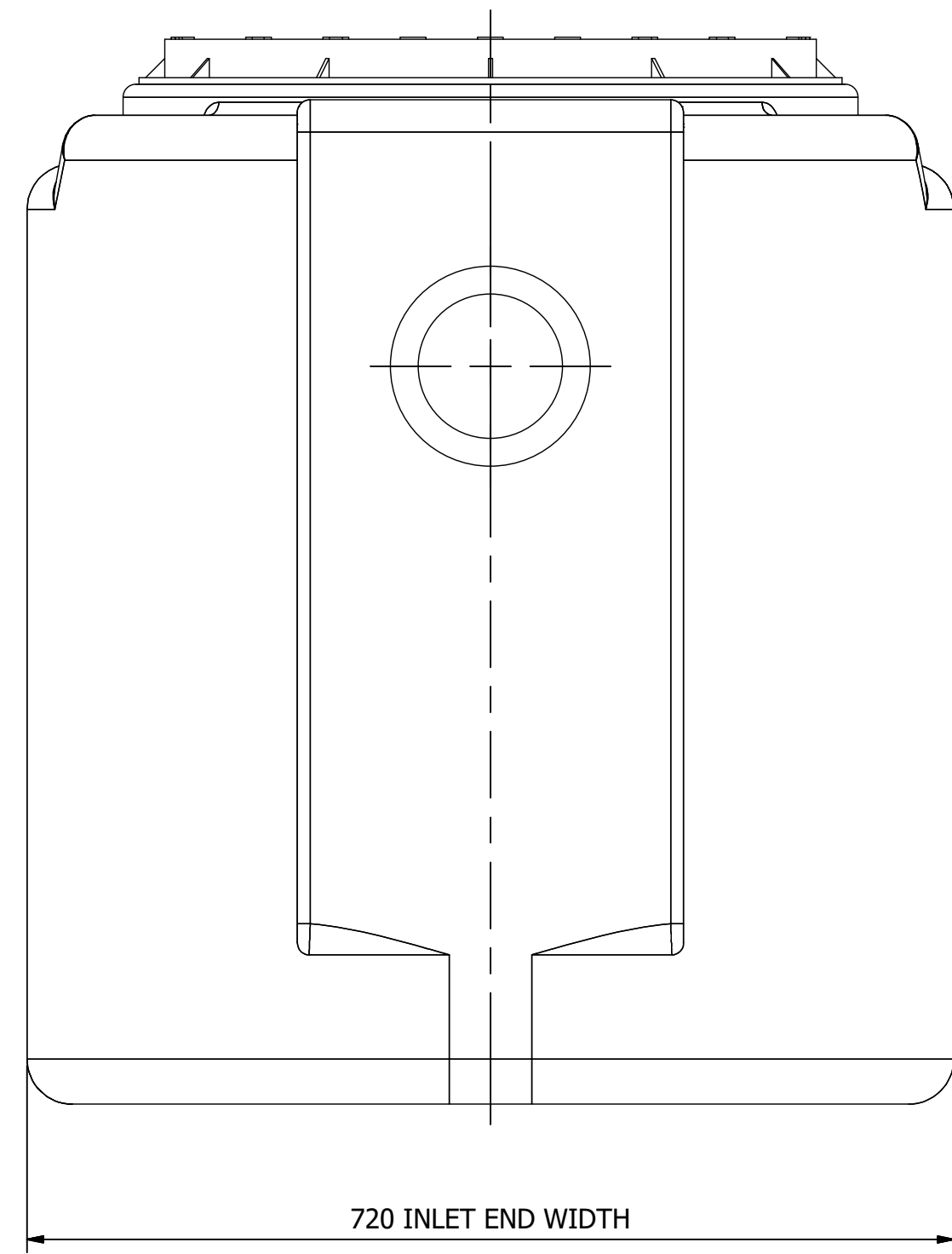
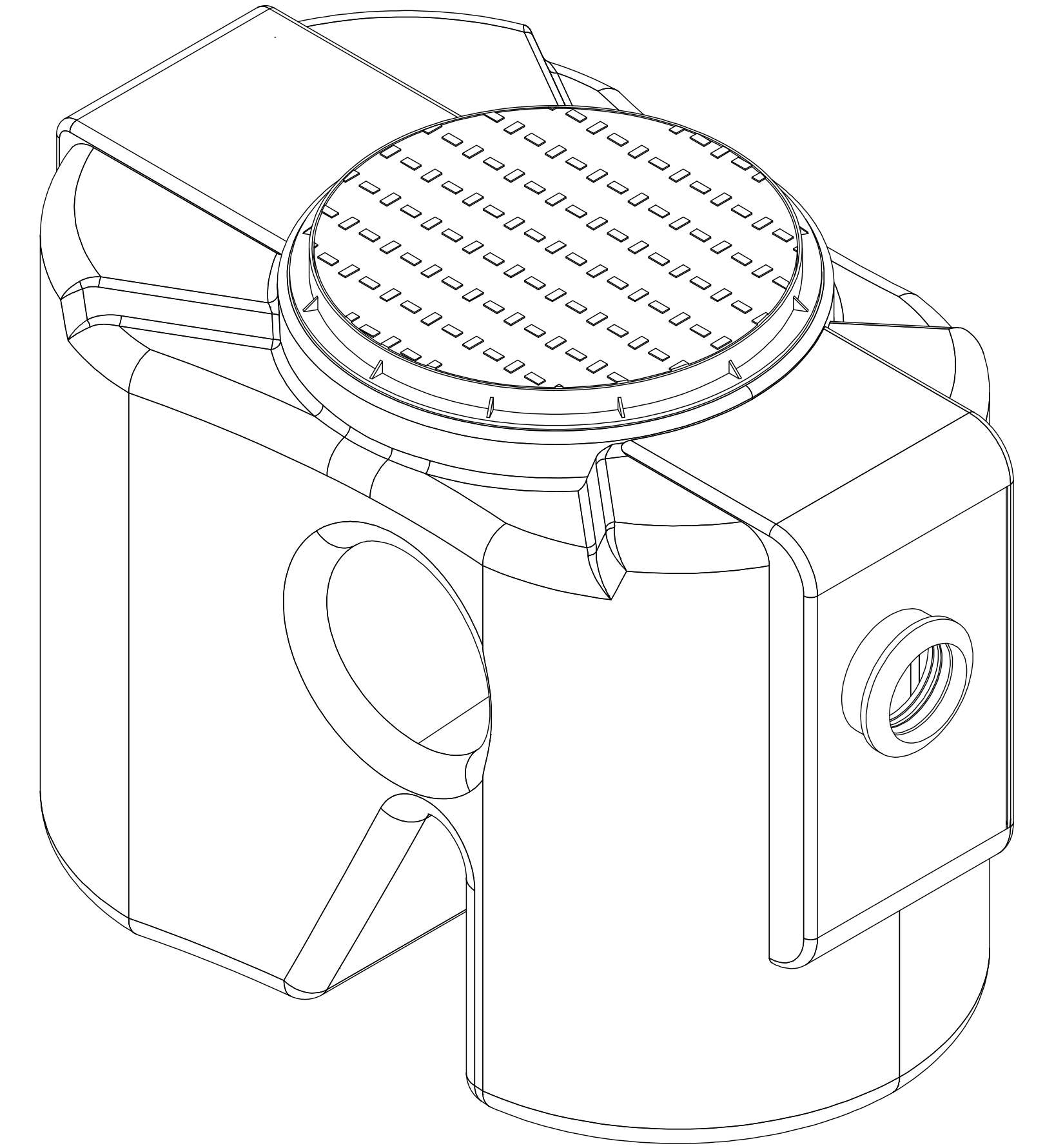
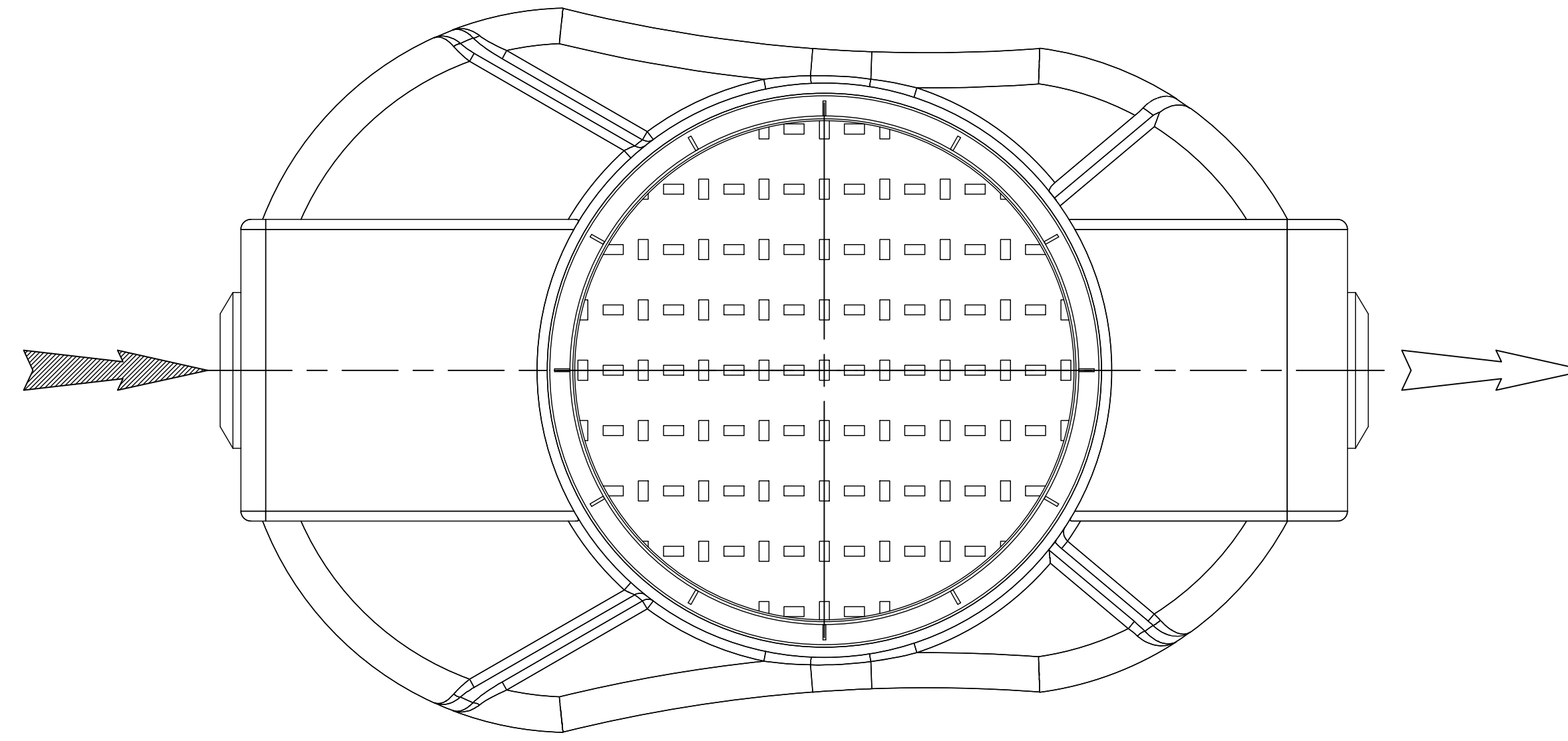
INLET - FLEX SEAL TO SUIT 110 EN1401 PIPE

OUTLET - FLEX SEAL TO SUIT 110 EN1401 PIPE

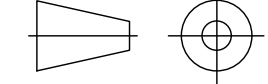
300 LITRE NOMINAL CAPACITY

180 LITRE SLUDGE CAPACITY

WEIGHT - 17.5 kg



THIRD ANGLE PROJECTION



THIS DRAWING IS CONFIDENTIAL AND MAY NOT BE USED, COPIED OR DISCLOSED TO ANYONE WITHOUT THE PERMISSION OF ECOTEC



Ecotec, Clooncommons  
Castleconnell, Co Limerick  
V94PK00, Ireland

PRODUCT CODE		PRODUCT DESCRIPTION						
Jumbo		JUMBO 300 Litre						
Drawn By:	T.H.	Checked By:	G.M.	Approved By:	G.M.	REV	1	SHEET 1 OF 1
Drawn Date:	20/10/2020	Checked Date:	21/10/2020	Approved Date:	21/10/2020	SIZE	A3	SCALE 1:5