

NOTES:

UNIT SUPPLIED WITH 450 PEDESTRIAN RATED INSPECTION COVER AND FRAME.

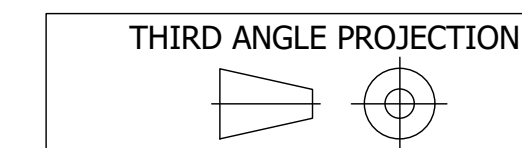
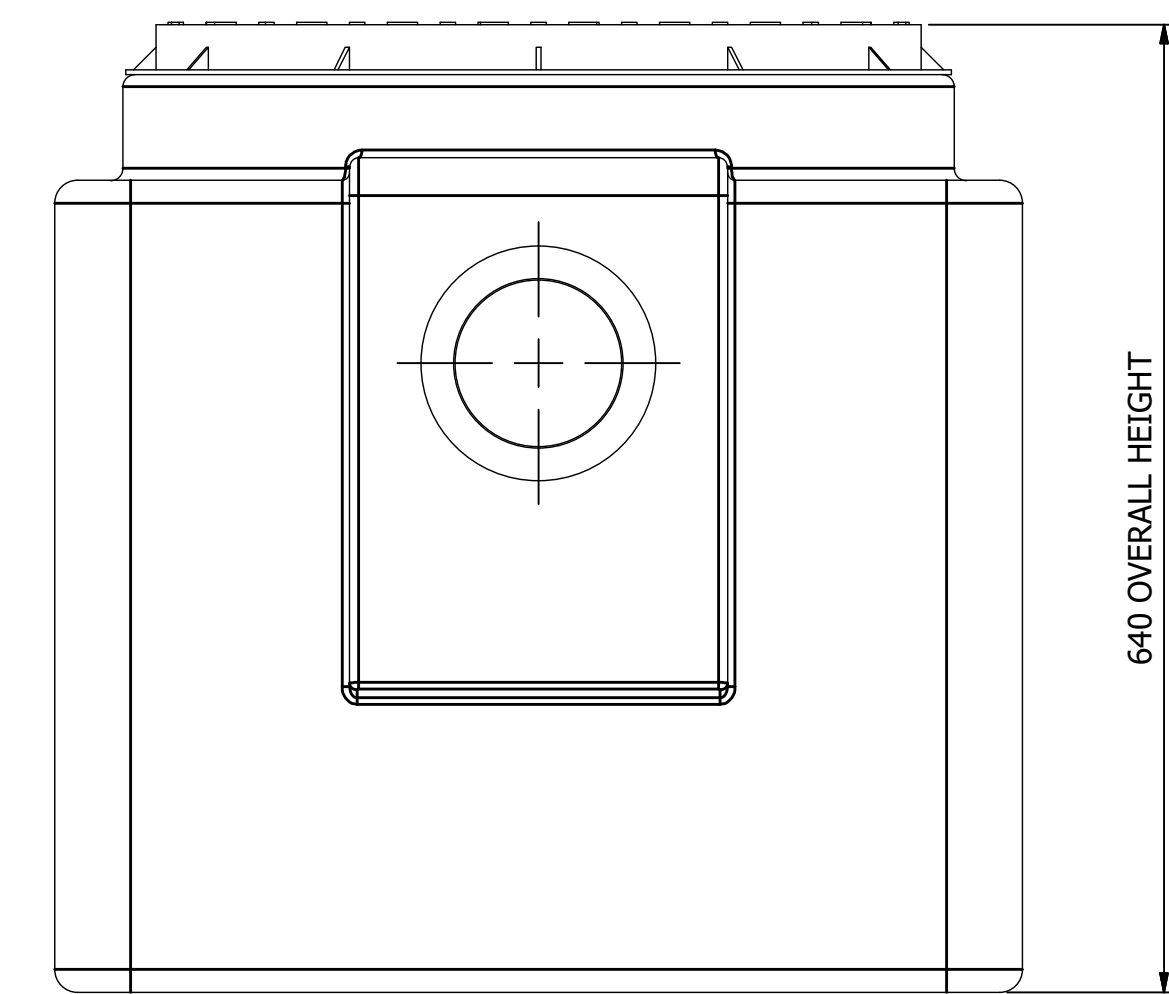
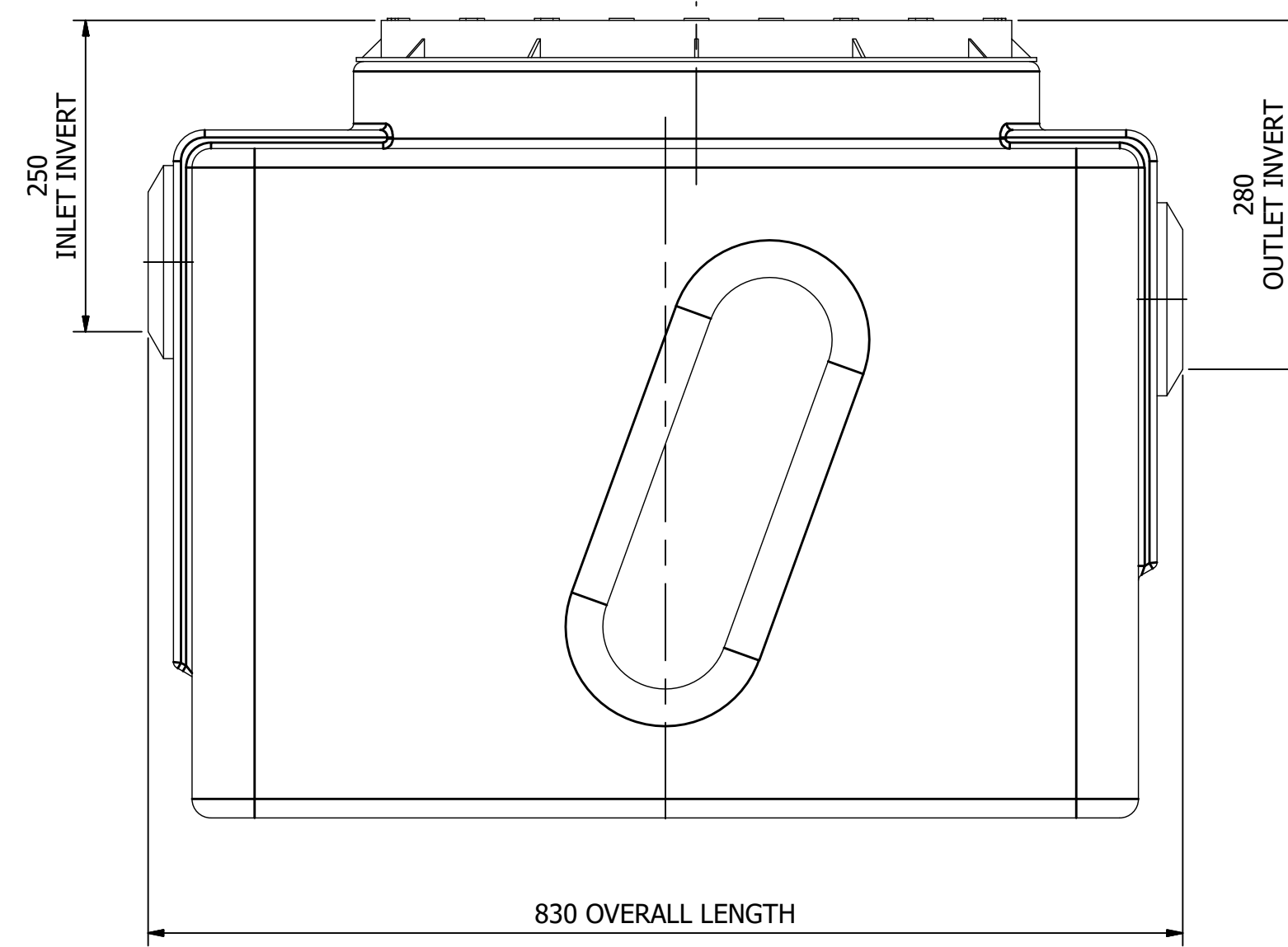
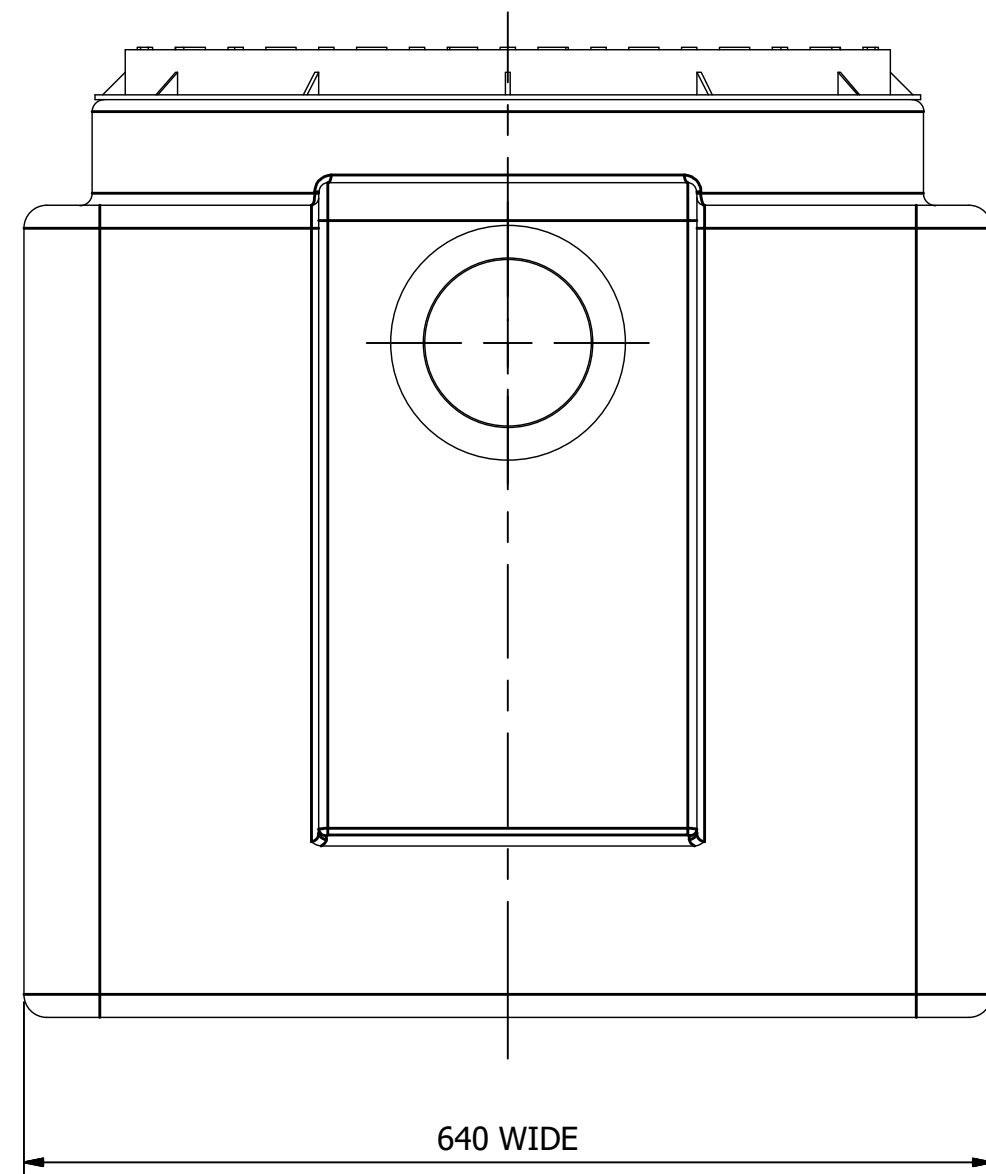
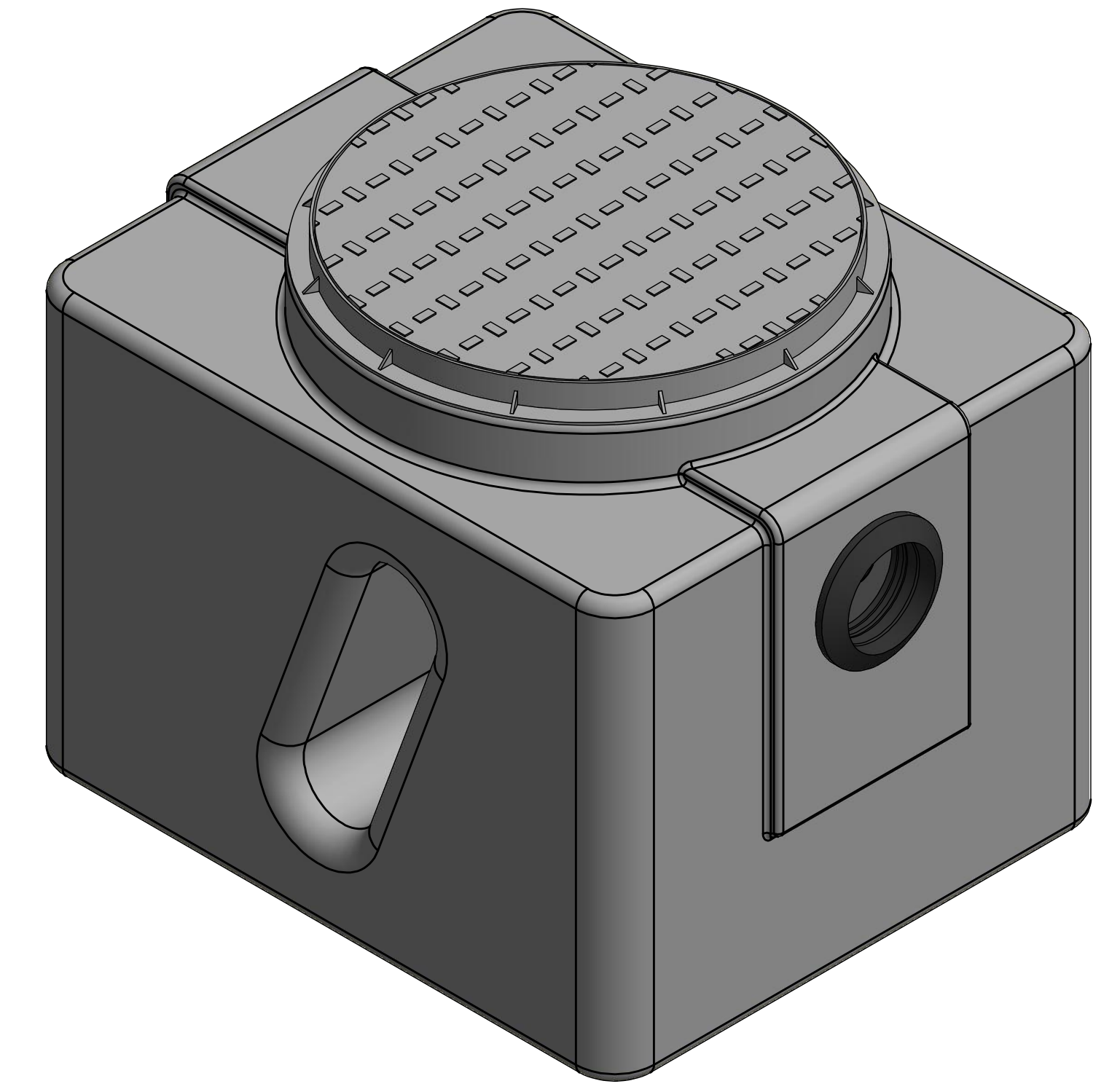
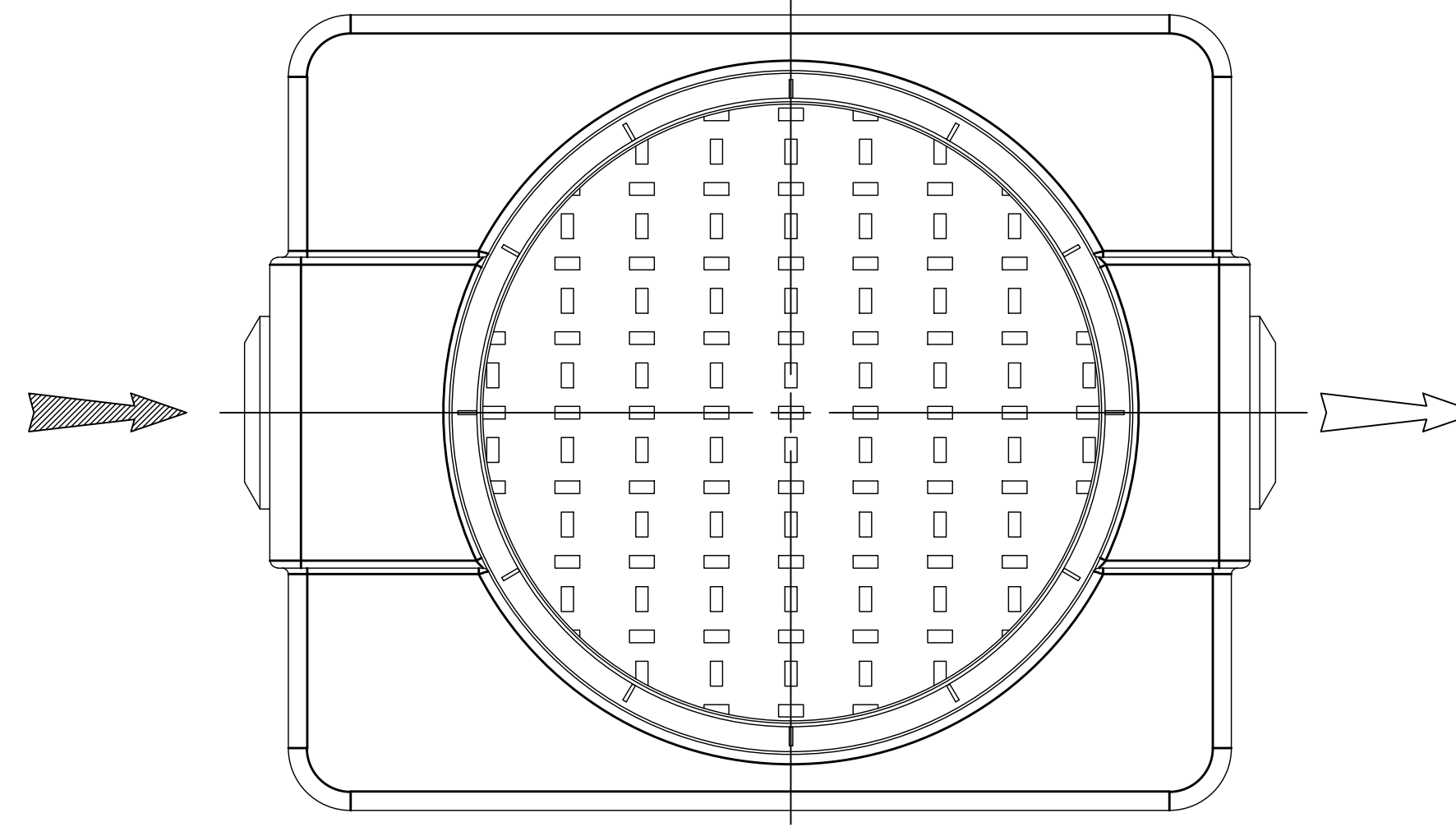
INLET - FLEX SEAL TO SUIT 110 EN1401 PIPE

OUTLET - FLEX SEAL TO SUIT 110 EN1401 PIPE

150 LITRE NOMINAL CAPACITY

100 LITRE SLUDGE CAPACITY

WEIGHT - 15 kg



THIS DRAWING IS CONFIDENTIAL AND MAY NOT BE USED, COPIED OR DISCLOSED TO ANYONE WITHOUT THE PERMISSION OF ECOTEC

ECOTEC Ecotec, Clooncommons
Castleconnell, Co Limerick
V94PK00, Ireland

PRODUCT CODE		PRODUCT DESCRIPTION						
Jumbo		JUMBO 150 Litre						
Drawn By:	T.H.	Checked By:	G.M.	Approved By:	G.M.	REV	1	SHEET 1 OF 1
Drawn Date:	19/10/2020	Checked Date:	20/10/2020	Approved Date:	20/10/2020	SIZE	A3	SCALE 1:5