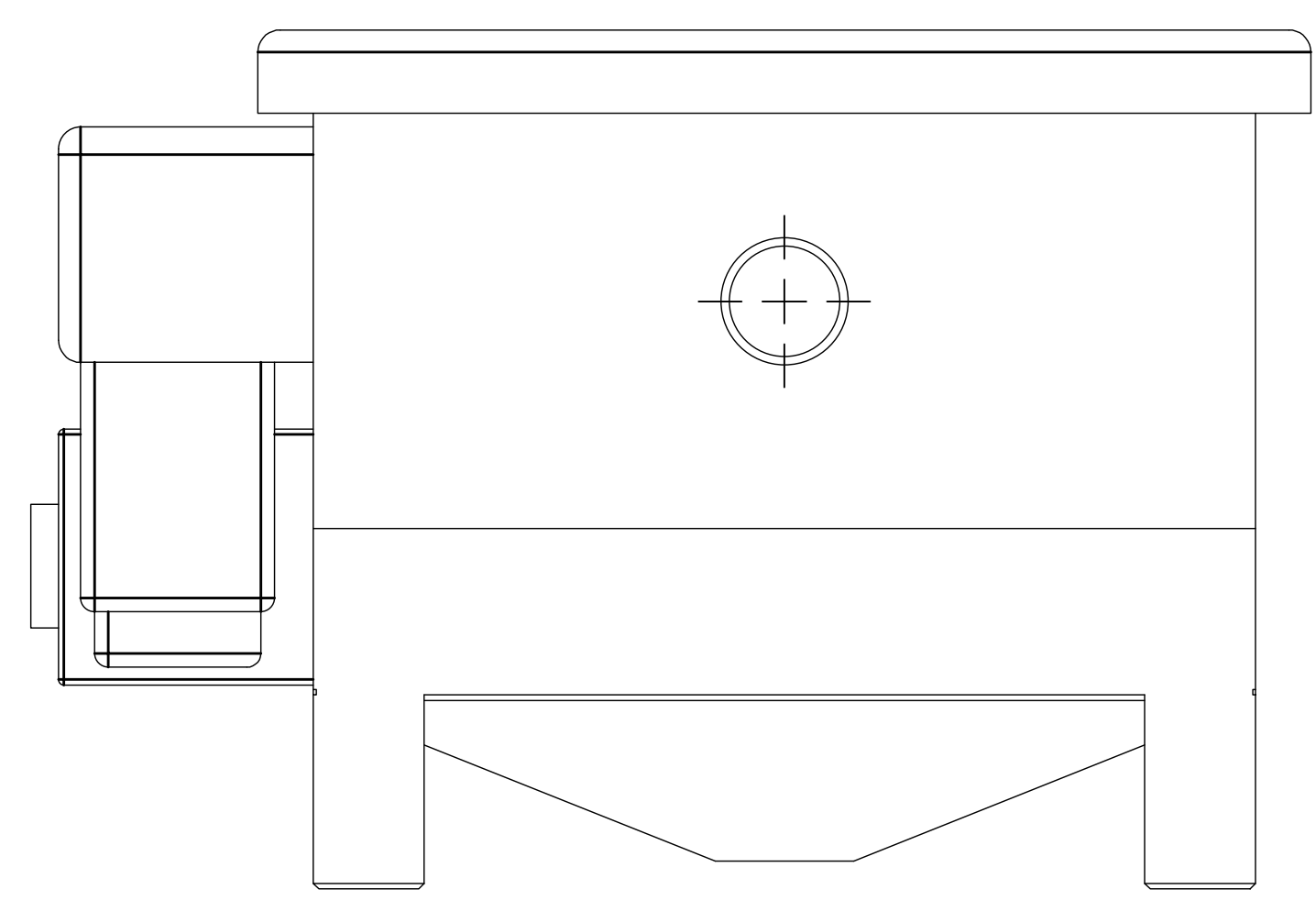
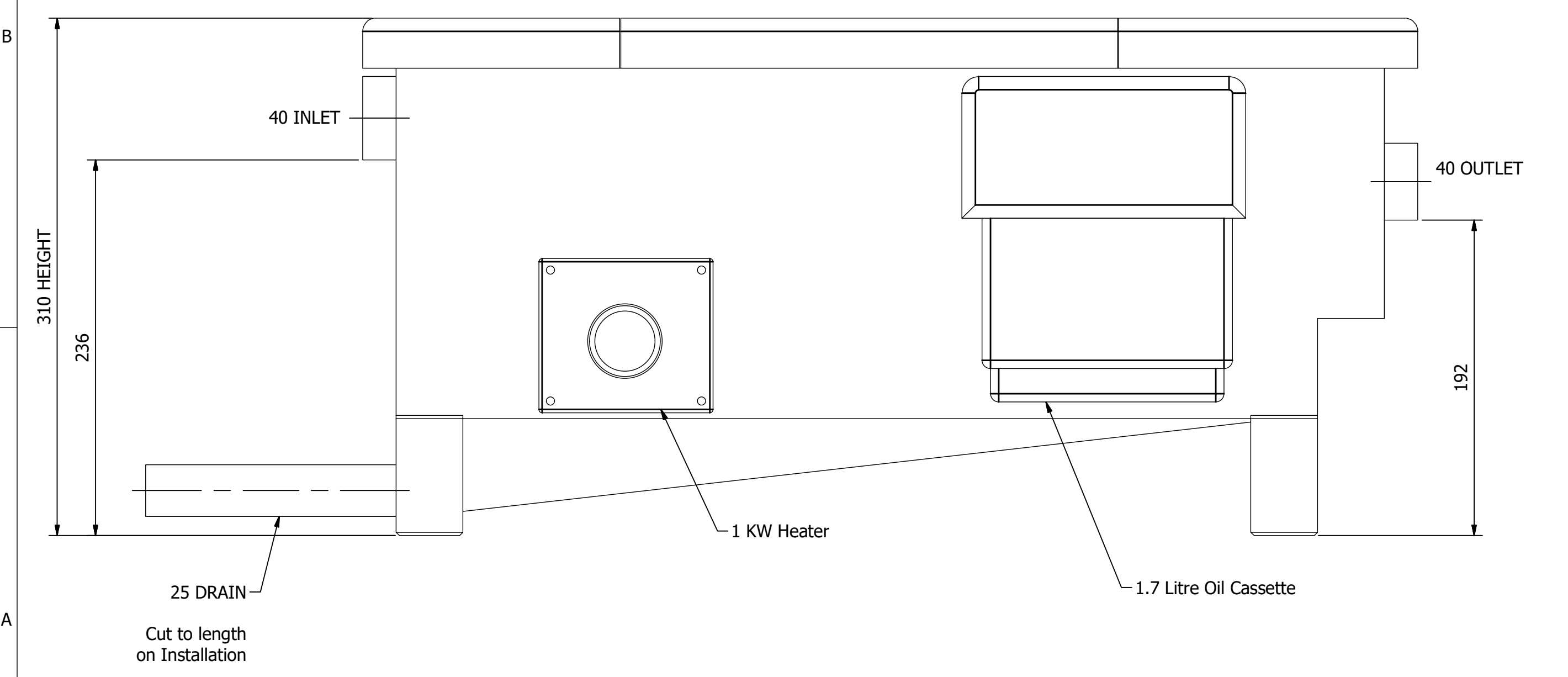
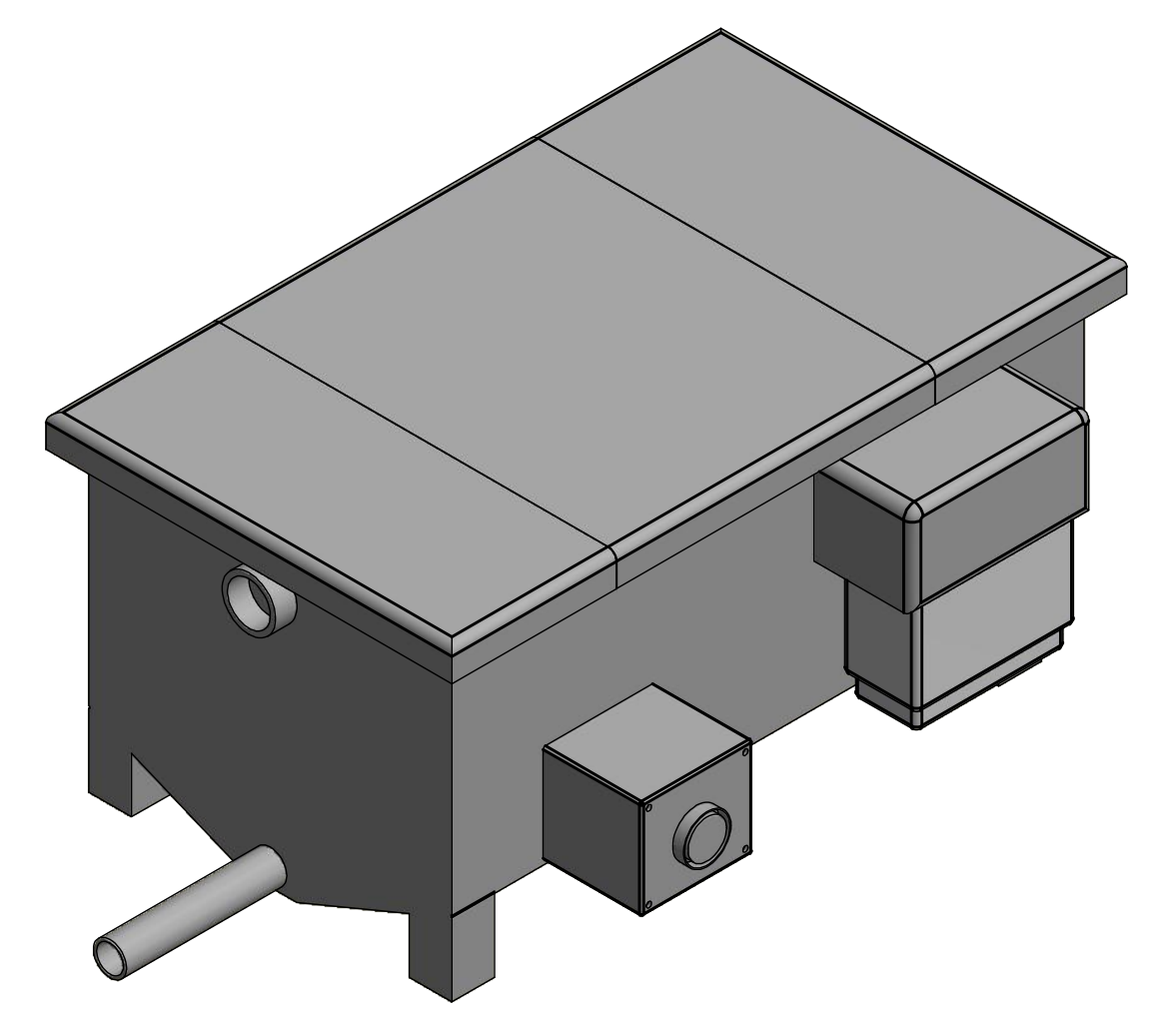
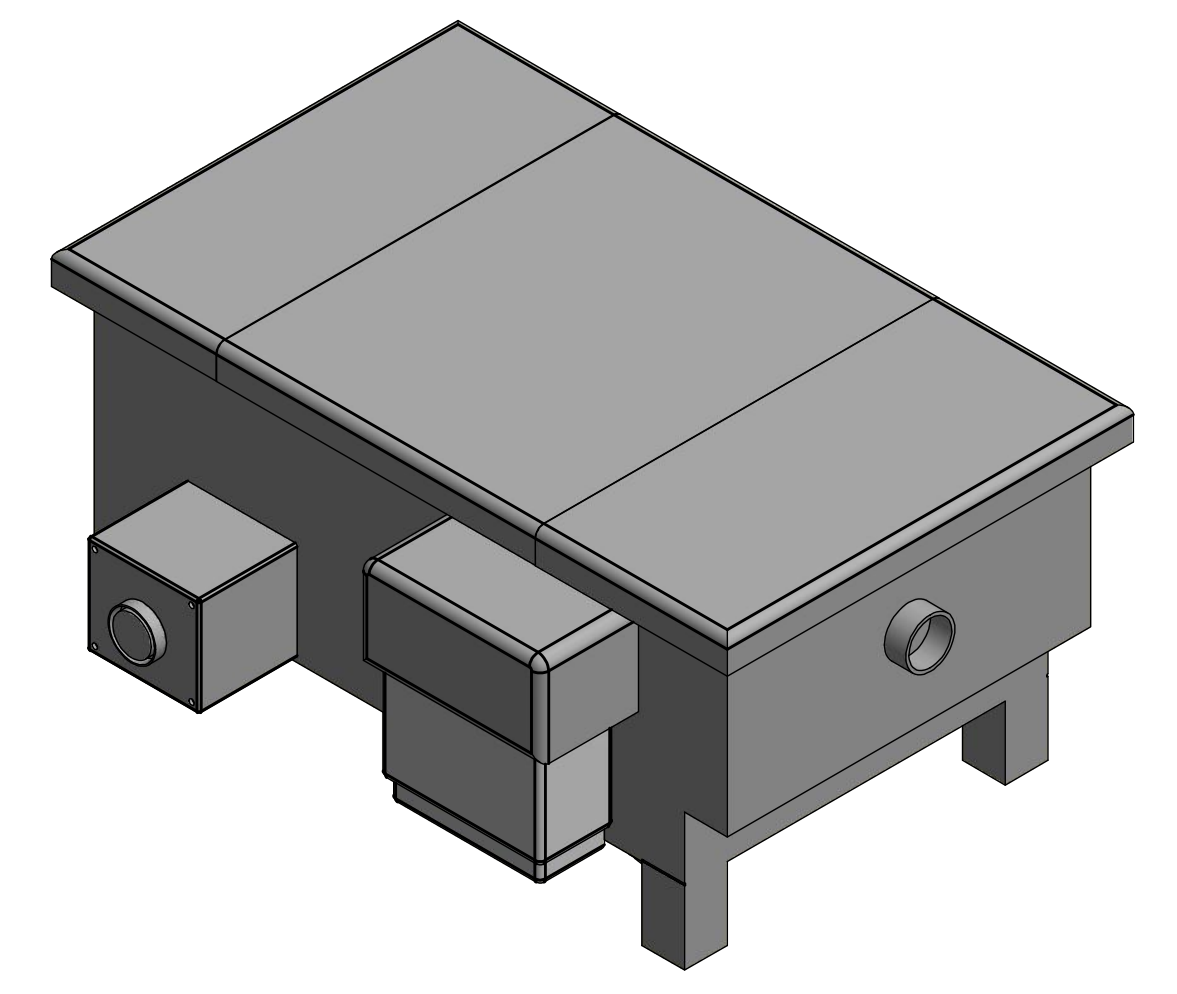


SPECIFICATION.

MAX. EFFLUENT SEPERATION RATE 0.7 LITRES/SECOND
 DISCHARGE WATER OIL CONCENTRATION <100 PPM
 RECOVERED OIL WATER CONCENTRATION <5%
 MAX. DESIGN EFFLUENT CONCENTRATION 90% OIL/10% WATER
 OPTIMUM OPERATING TEMPERATURE 30-40 °C.
 HEATER ELEMENT SINGLE PHASE 1.0Kw 240V THERMOSTAT CONTROLLED (DEFAULT TEMP. SETTING 35°C) HERT. 50 - 60

INLET 40mm FEMALE FITTING
 OUTLET 50mm FEMALE FITTING
 SILT OUTLET 1" BSP FEMALE FITTING
 OIL CASSETTE CAPACITY 1.7 LITRES
 CONSTRUCTION 3mm 304 GRADE STAINLESS STEEL
 WARANTY CONSTRUCTION ... 10 YEARS
 HEATER WARRANTY 1 YEAR
 UNIT WEIGHT 27 kg



NOTES.

ETFS70 IS DESIGNED FOR USE IN SMALL KITCHENS OR ATTACHED TO SPECIFIC EQUIPMENT WITH FLOW RATE <0.7 Litres / Second.
 ALL FATSTRIPPA PRODUCTS MEET THE REQUIREMENTS OF:-
 UK APPROVED INDUSTRYACT 1991
 APPROVED DOCUMENT H BUILDING REGULATIONS - DRAINAGE AND WASTE DISPOSAL, 2015 EDITION. BS.EN1825:2004 AND BS.EN1825:2002
 DESIGNED IN ACCORDANCE WITH STANDARD PDI-G101
 ENVIRONMENTAL PROTECTION ACT 1990 - FOOD SAFETY & HYGIENE REGULATIONS 2013 & EUROPEAN REGULATION (EC) No. 852-2004
 CONSTRUCTION PRODUCTS REGULATIONS (CPR) REQUIREMENTS UNDER THE SCOPE OF HARMONISED EUROPEAN STANDARDS (hEN's) for CE MARKING
 BS EN12056-1:2000 WITH REGARDS TO THE HEALTH AND SAFETY OF USERS AND OCCUPIERS AND THE PENETRATION OF TOXIC OR NOXIOUS OUDORS IN BUILDINGS.

THIRD ANGLE PROJECTION

 THIS DRAWING IS CONFIDENTIAL AND MAY NOT BE USED, COPIED OR DISCLOSED TO ANYONE WITHOUT THE PERMISSION OF ECOTEC

ECOTEC		Ecotec, Clooncommons Castleconnell, Co Limerick V94PK00, Ireland	
PRODUCT CODE ETFS70		PRODUCT DESCRIPTION GREASE REMOVAL SYSTEM	
Drawn By:	T.H.	Checked By:	G.M.
Drawn Date:	15/12/2020	Checked Date:	15/12/2020
Approved By:	G.M.	Approved Date:	15/12/2020
REV	1	SIZE	A3
SHEET 1 OF 1		SCALE 1:2.5	