

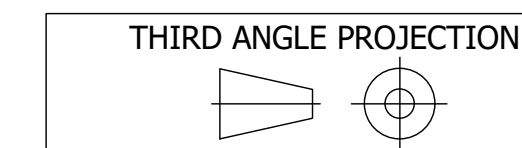
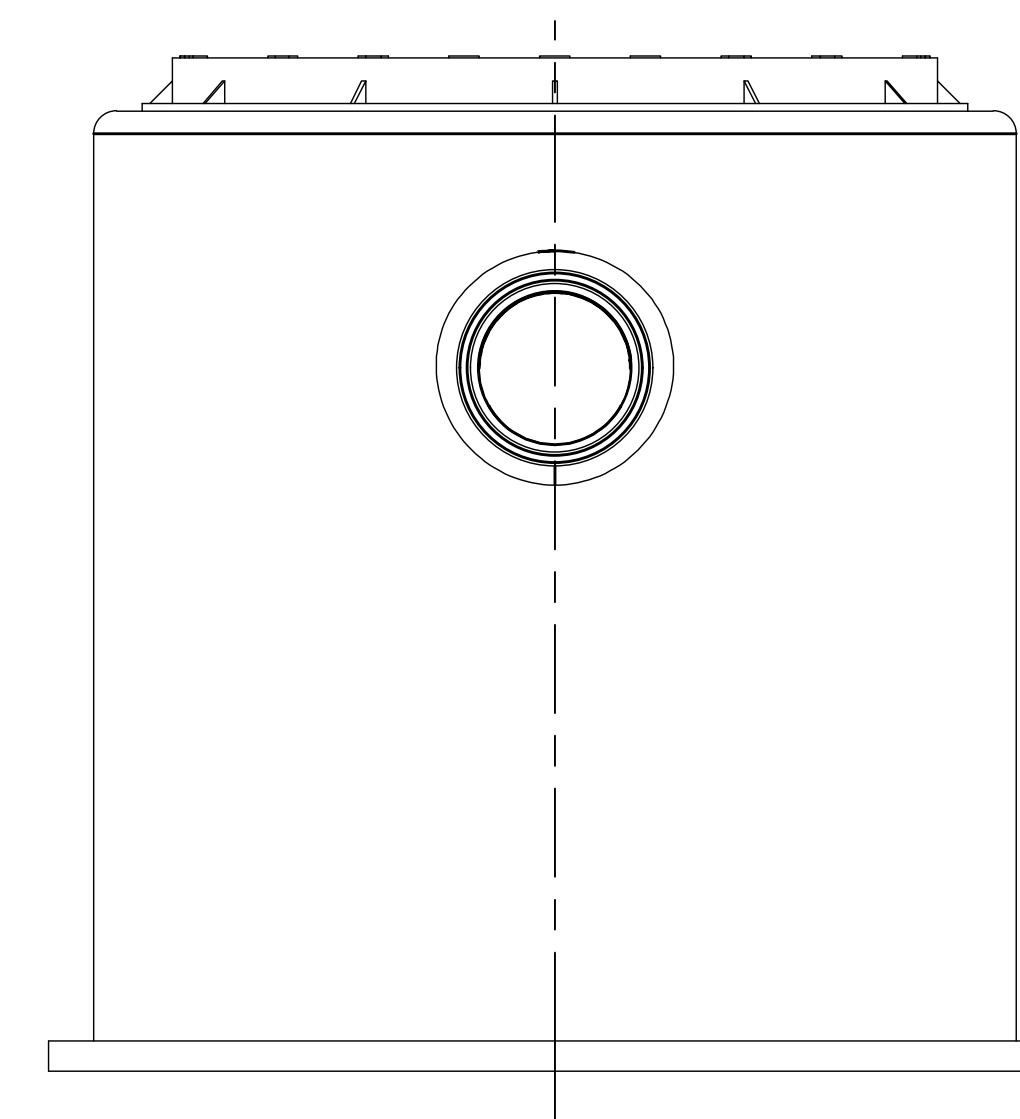
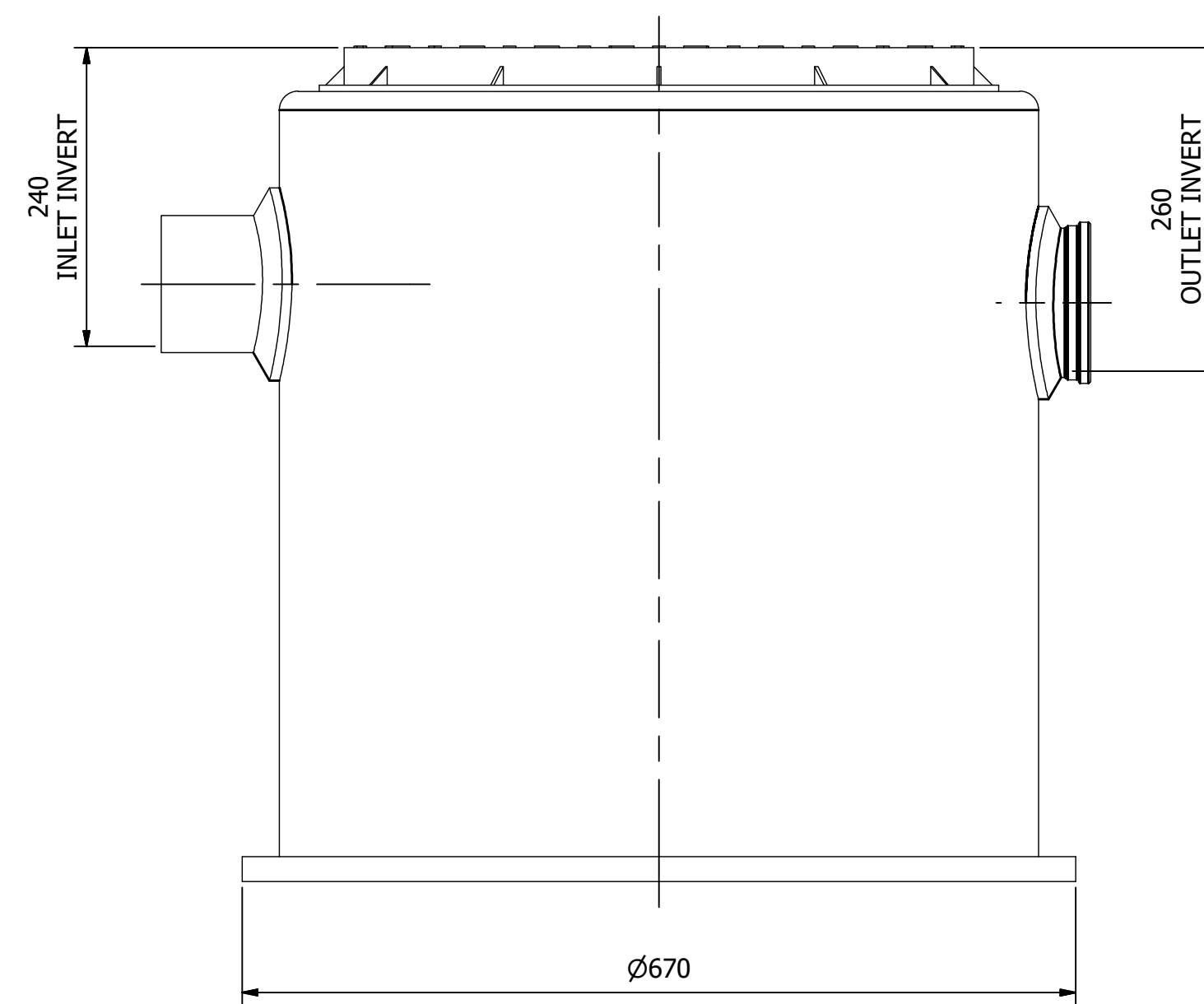
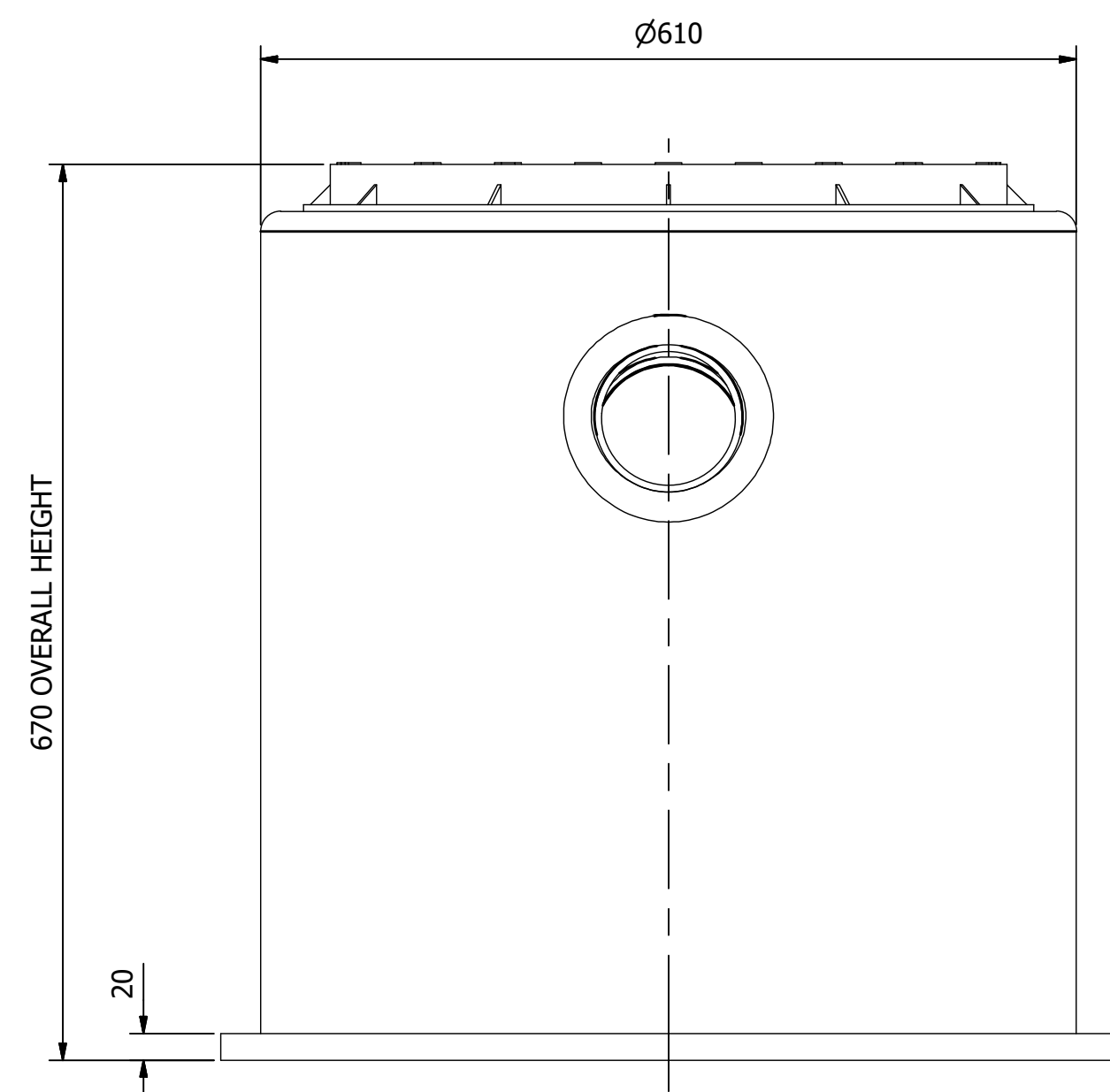
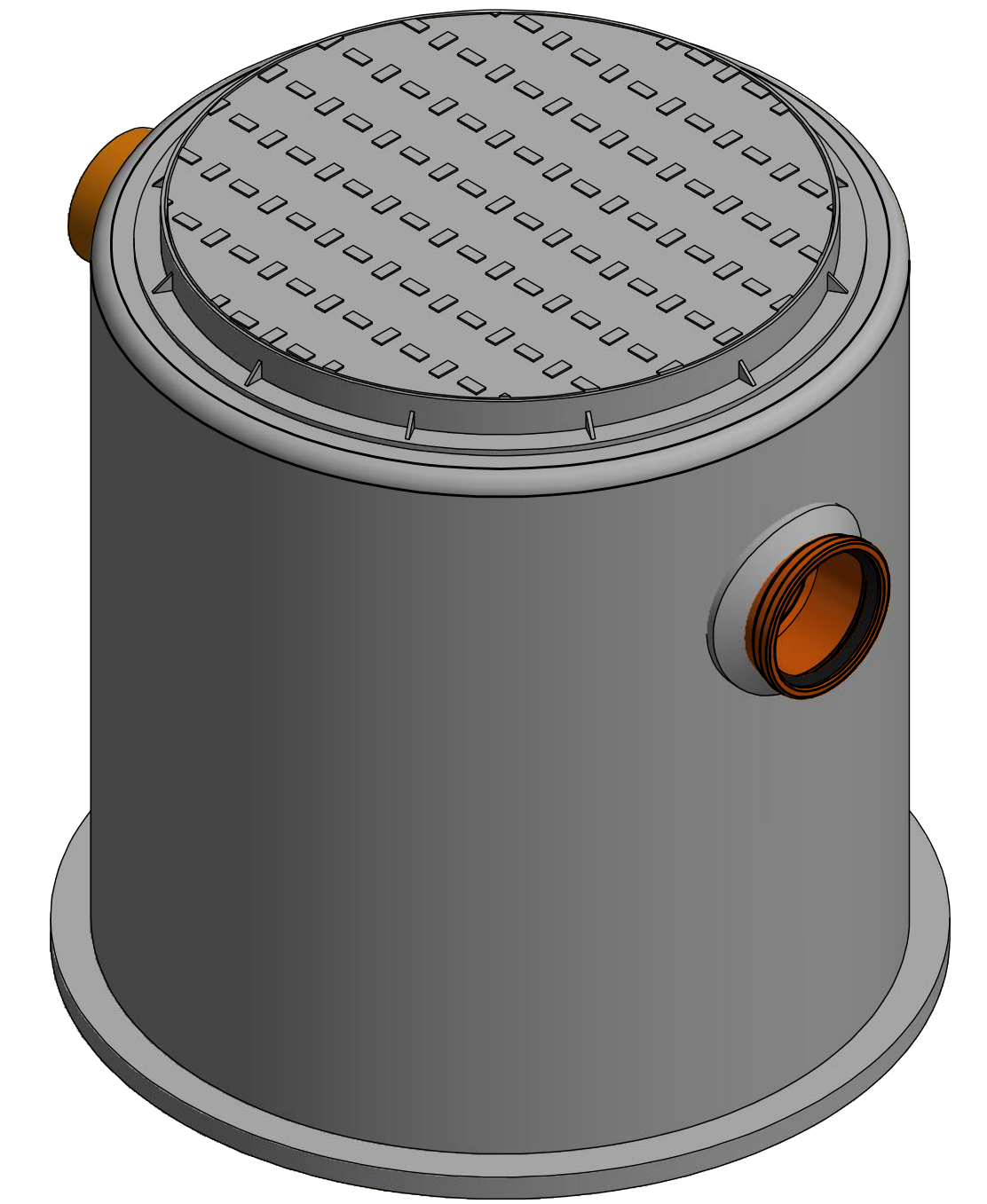
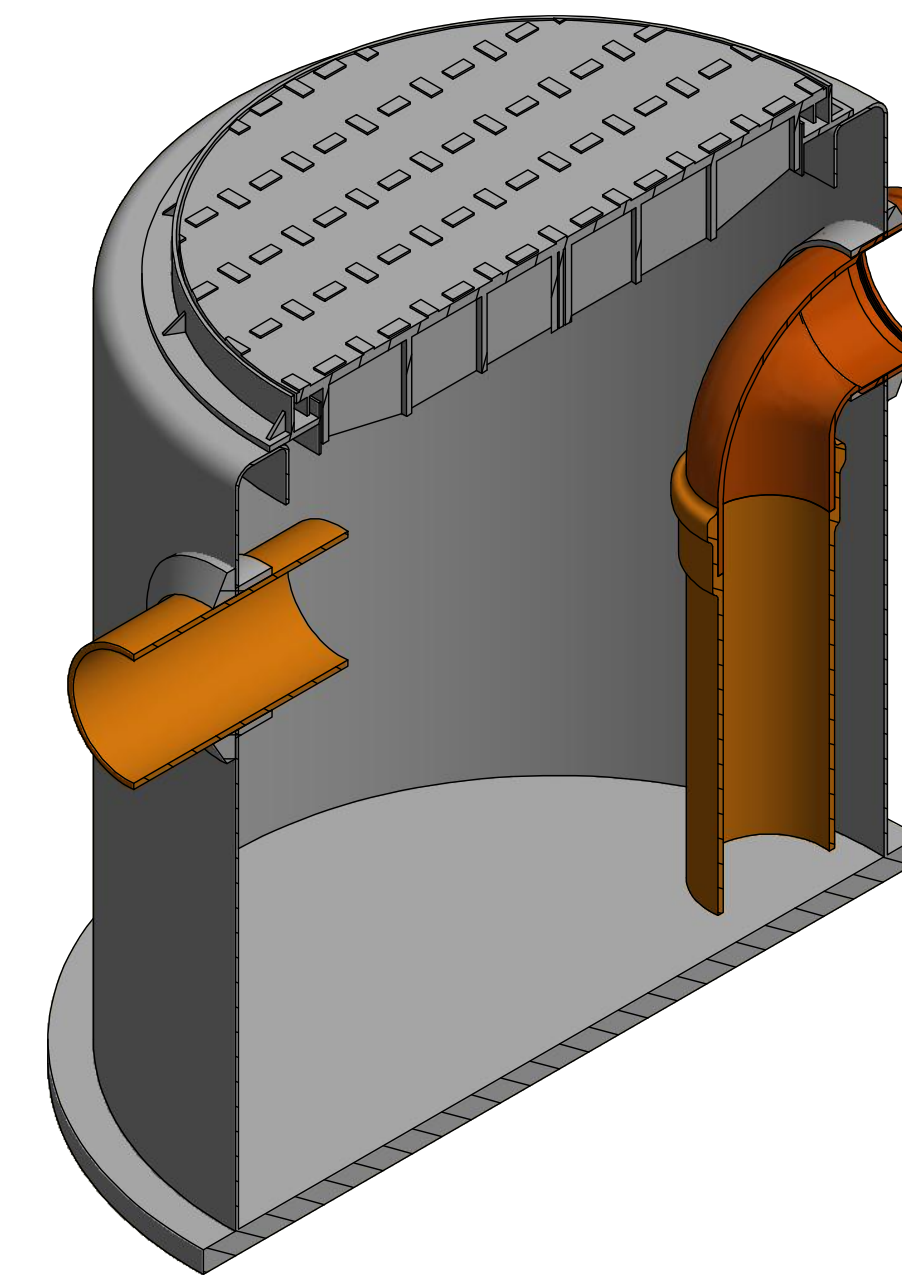
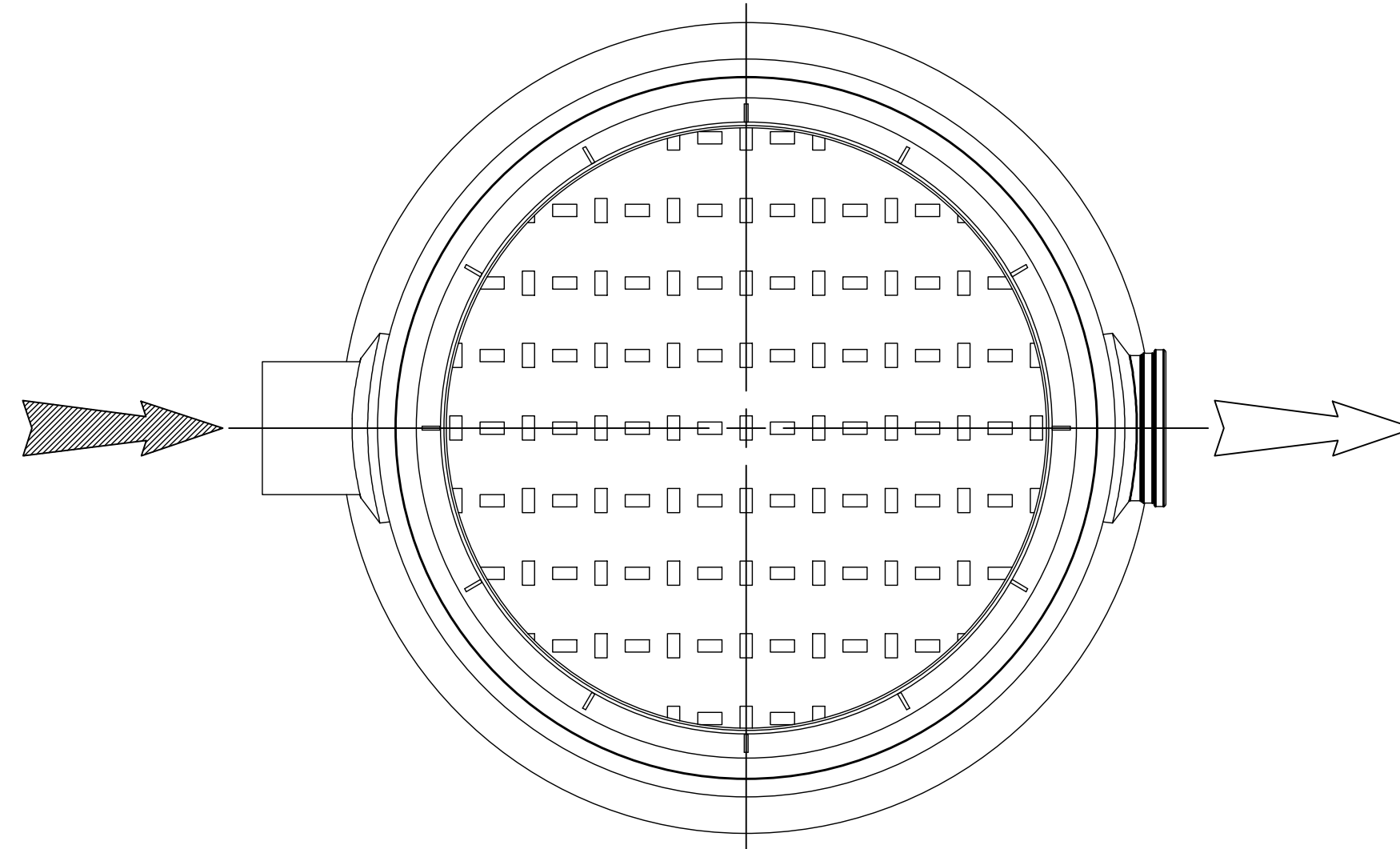
NOTES:

UNITS SUPPLIED WITH 450 PEDESTRIAN RATED INSPECTION COVER AND FRAME.

INLET - FLEX SEAL TO SUIT 110 EN1401 PIPE

OUTLET - FLEX SEAL TO SUIT 110 EN1401 PIPE
c/w LOW LEVEL DIP PIPE

100 LITRE NOMINAL CAPACITY



THIS DRAWING IS CONFIDENTIAL AND MAY NOT BE USED, COPIED OR DISCLOSED TO ANYONE WITHOUT THE PERMISSION OF ECOTEC

ECOTEC		Ecotec, Clooncommons Castleconnell, Co Limerick V94PK00, Ireland	
PRODUCT CODE ET100		PRODUCT DESCRIPTION GREASE TRAP	
Drawn By:	T.H.	Checked By:	G.M.
Approved By:	G.M.	REV	1
Drawn Date:	21/10/2020	Checked Date:	22/10/2020
Approved Date:	22/10/2020	SIZE	A3
			SHEET 1 OF 1
			SCALE 1:5