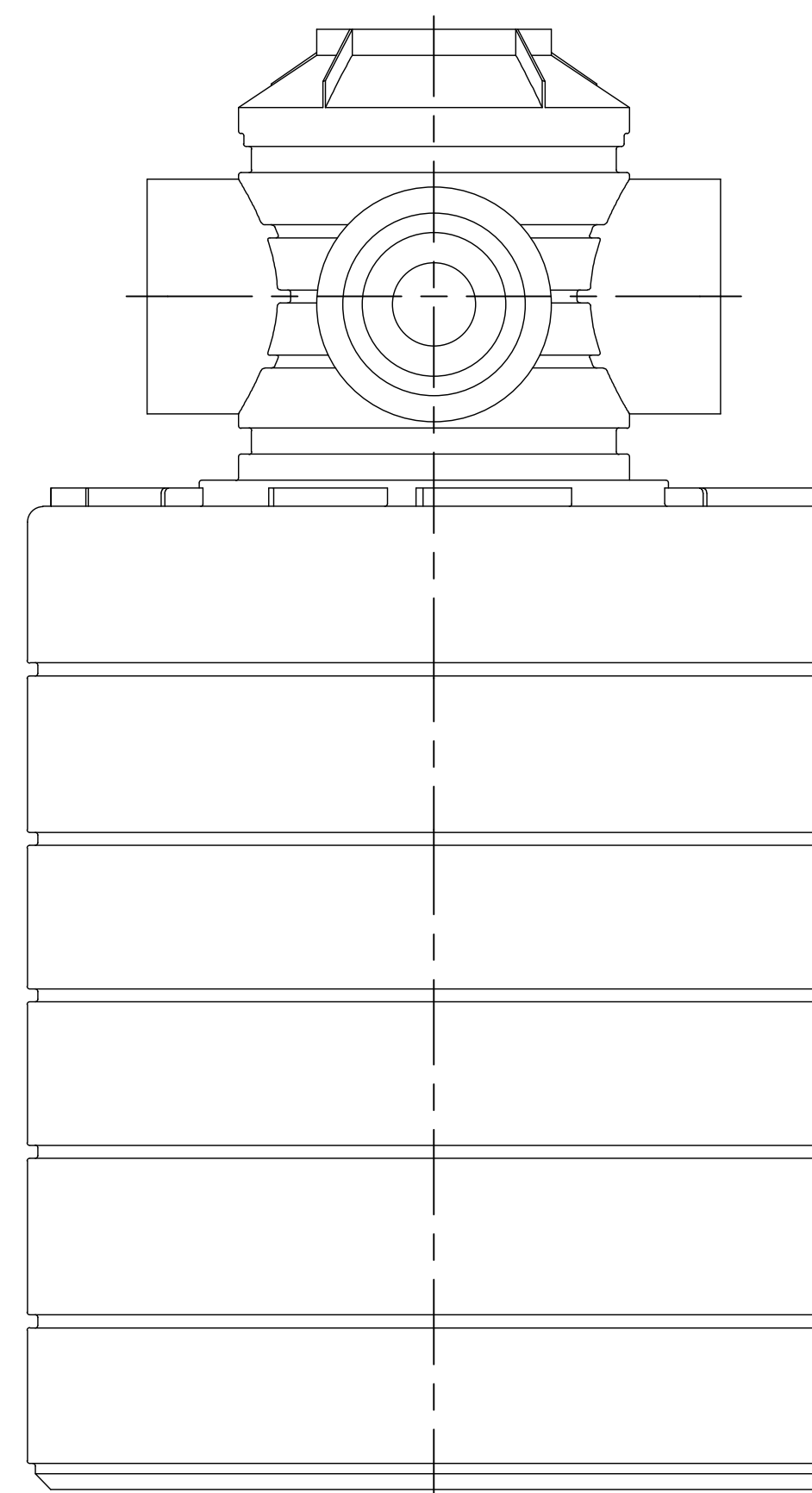
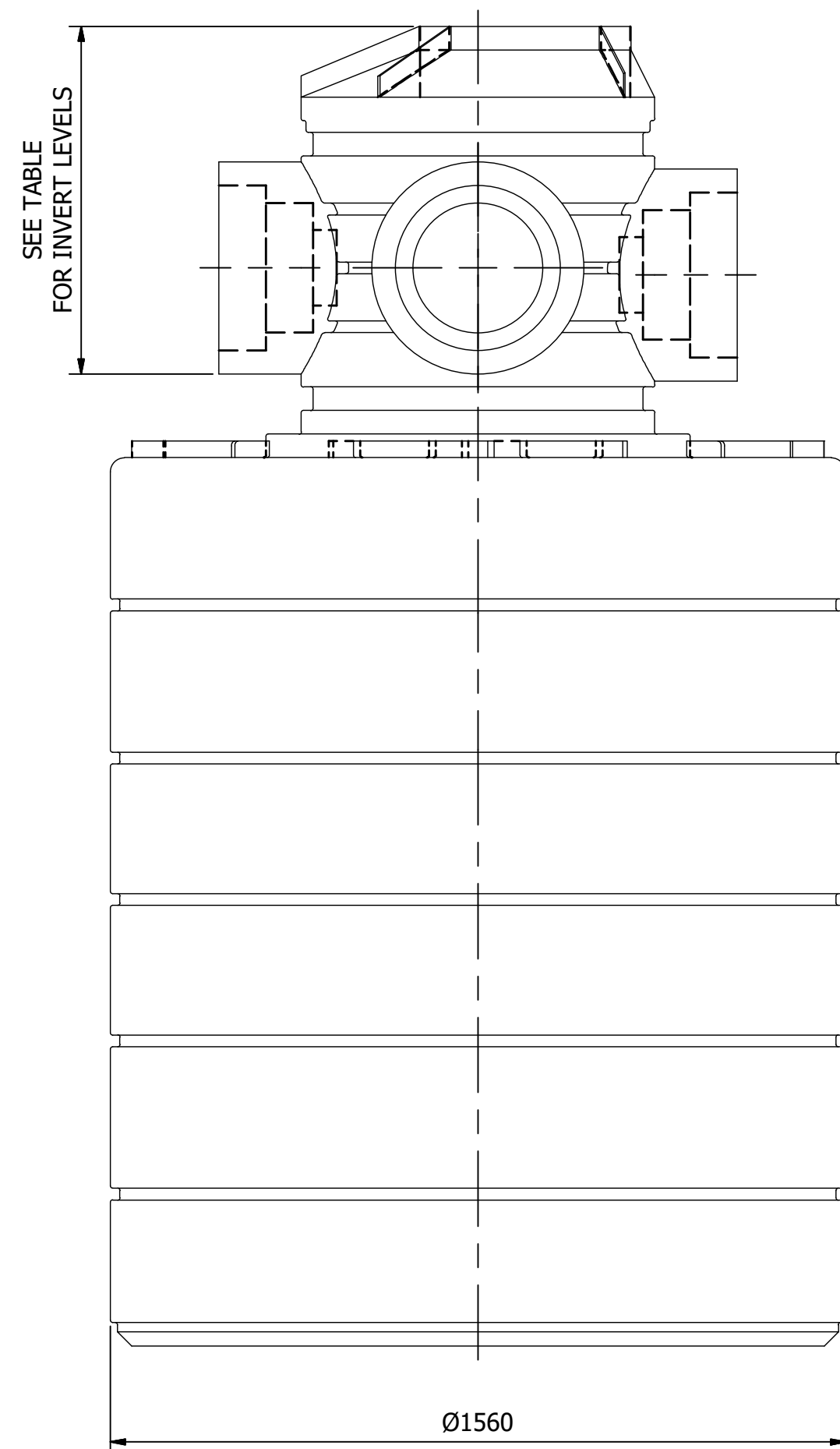
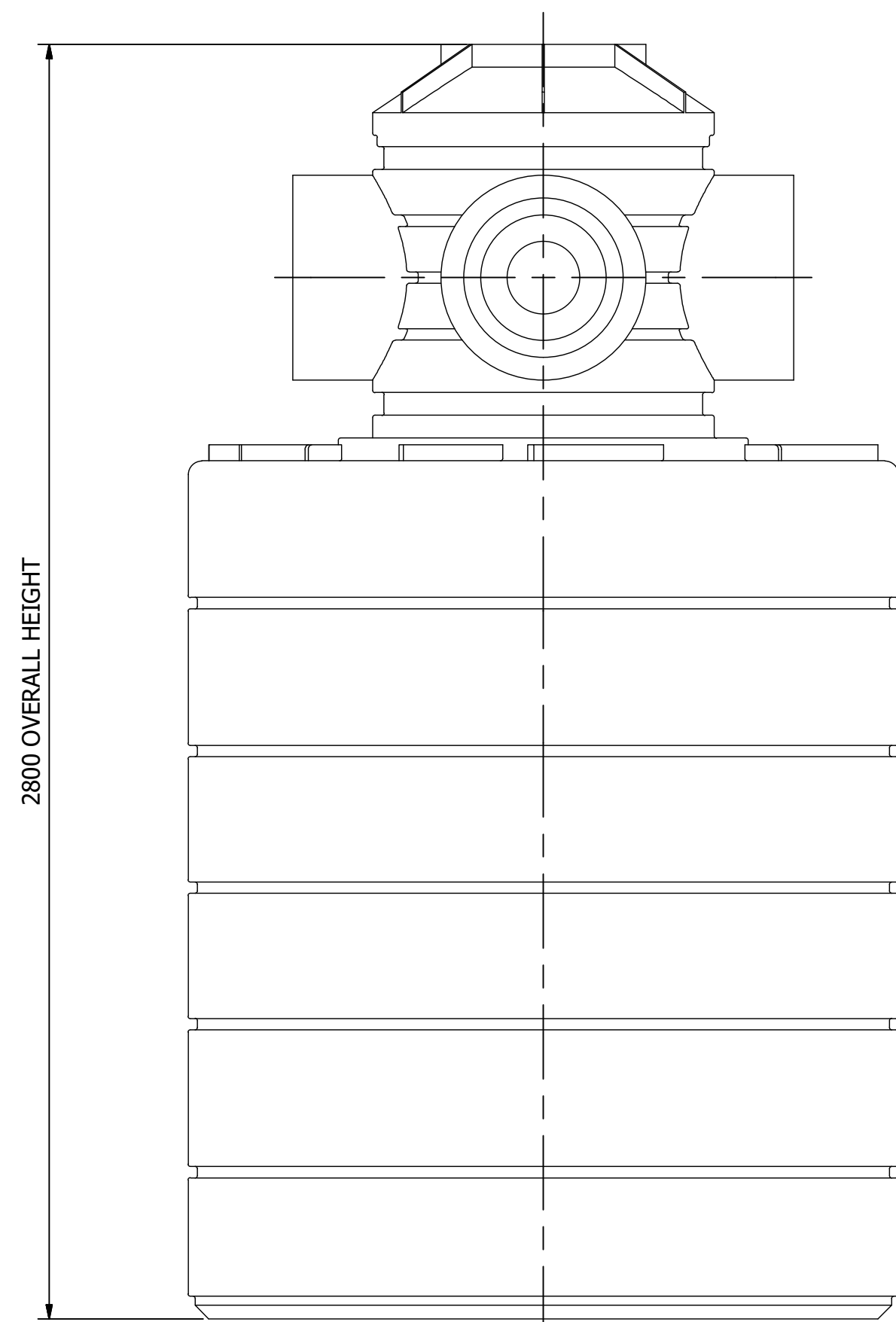
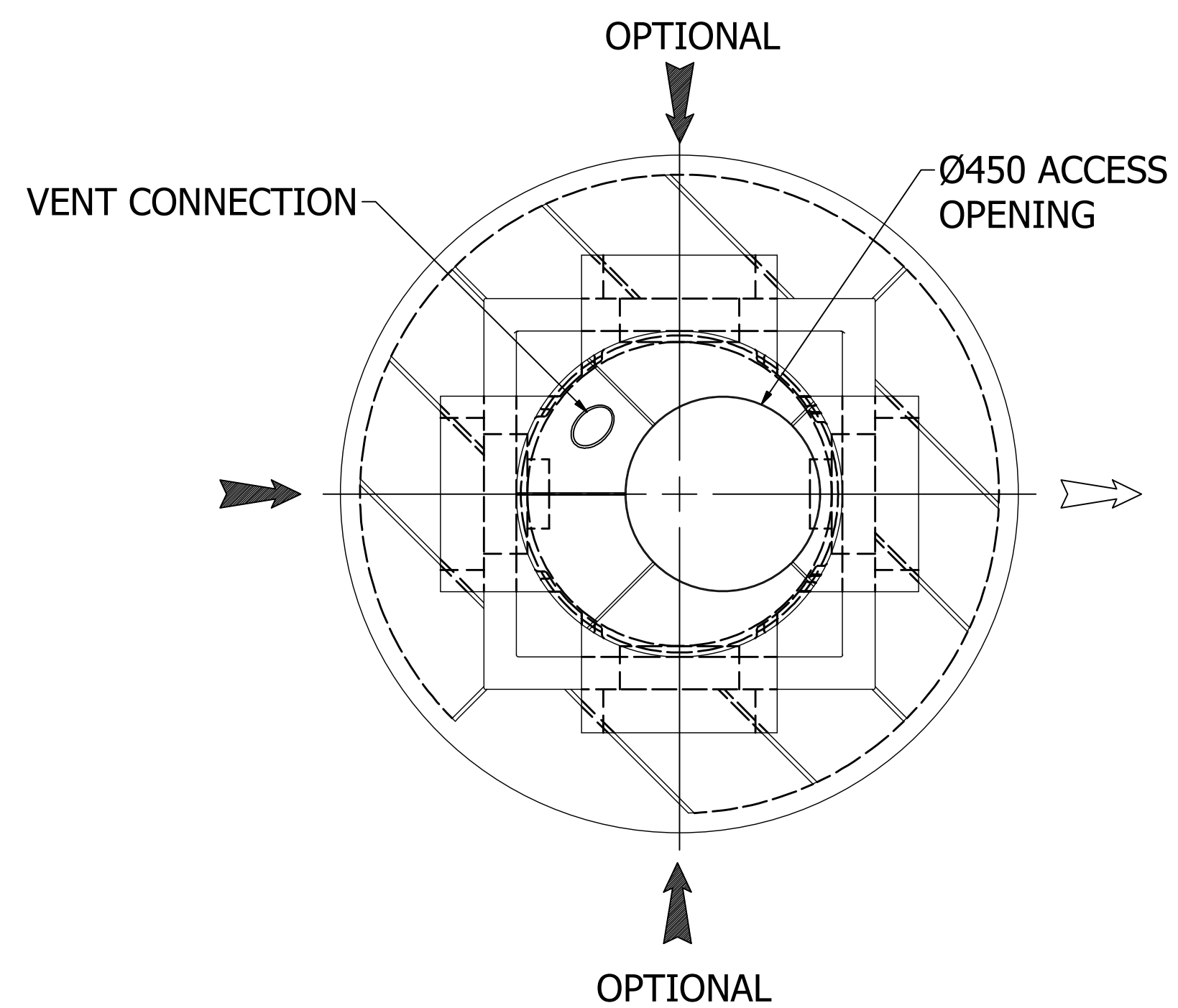


NOTES:

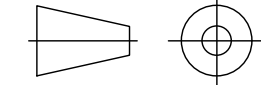
AREA DRAINED :- 13,500m

CONNECTIONS:- 160 - 450 (SEE TABLE)

SILT RETENTION:- 3,350 Litres



PIPE INVERTS		
PIPE Ø	INLET	OUTLET
160mm	625	640
225mm	650	665
300mm	685	700
375mm	720	735
450mm	760	775

THIRD ANGLE PROJECTION  
  
 THIS DRAWING IS CONFIDENTIAL AND MAY NOT BE USED, COPIED OR DISCLOSED TO ANYONE WITHOUT THE PERMISSION OF ECOTEC

**ECOTEC** Ecotec, Clooncommons Castleconnell, Co Limerick V94PK00, Ireland

PRODUCT CODE <b>ETSG3</b>		PRODUCT DESCRIPTION <b>SILT TRAP</b>						
Drawn By:	T.H.	Checked By:	G.M.	Approved By:	G.M.	REV	1	SHEET 1 OF 1
Drawn Date:	27/10/2020	Checked Date:	28/10/2020	Approved Date:	28/10/2020	SIZE	A3	SCALE 1:12.5