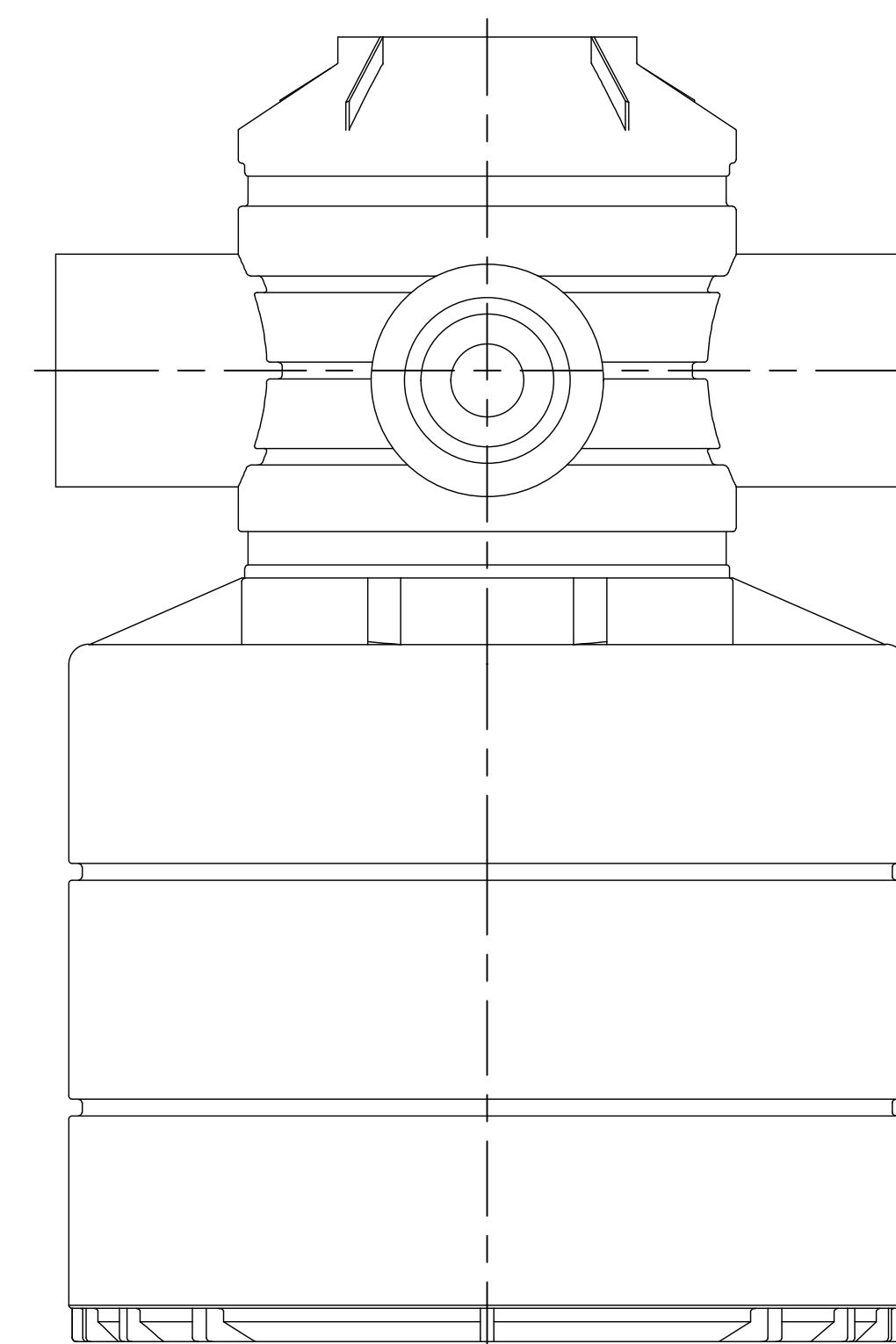
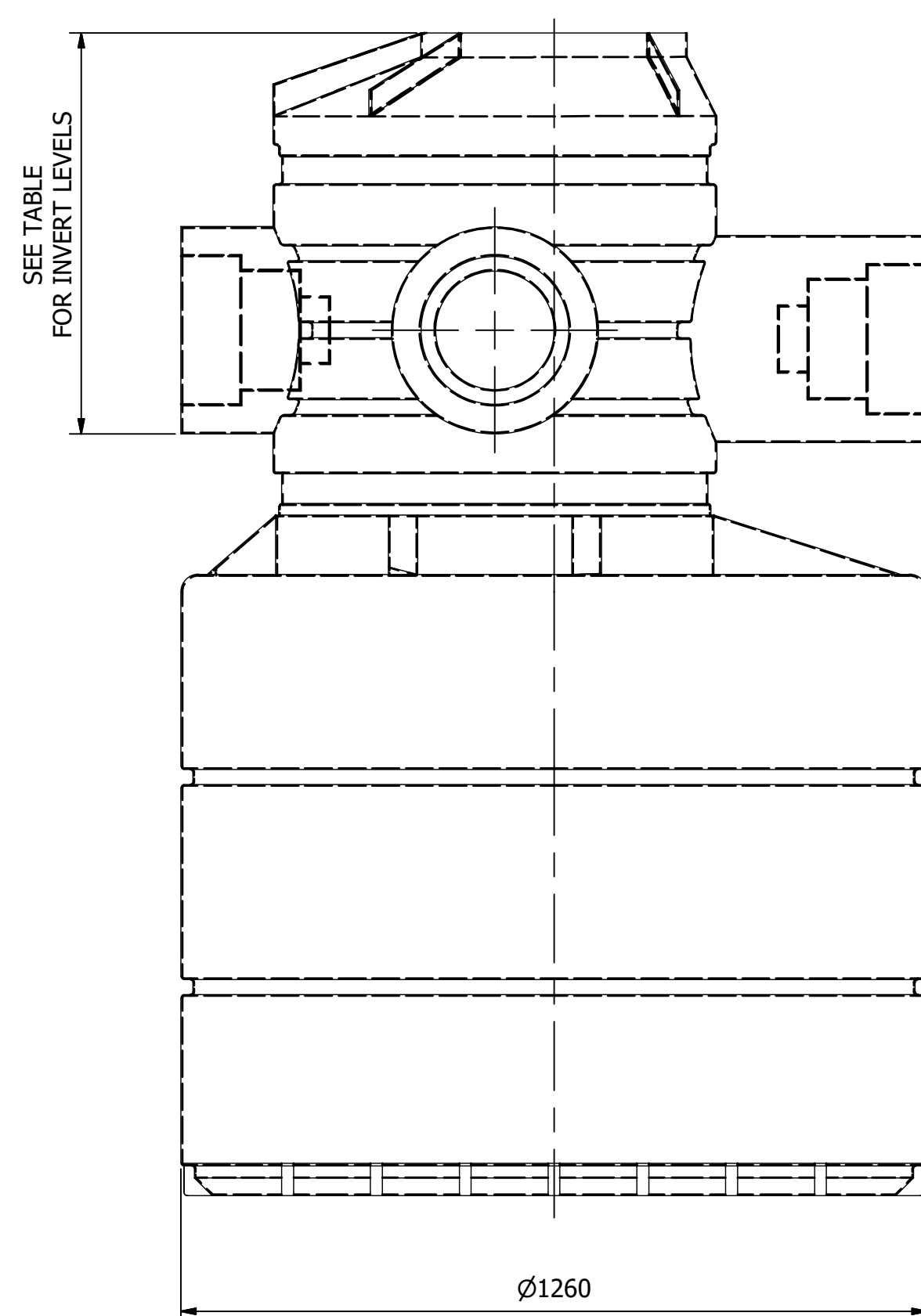
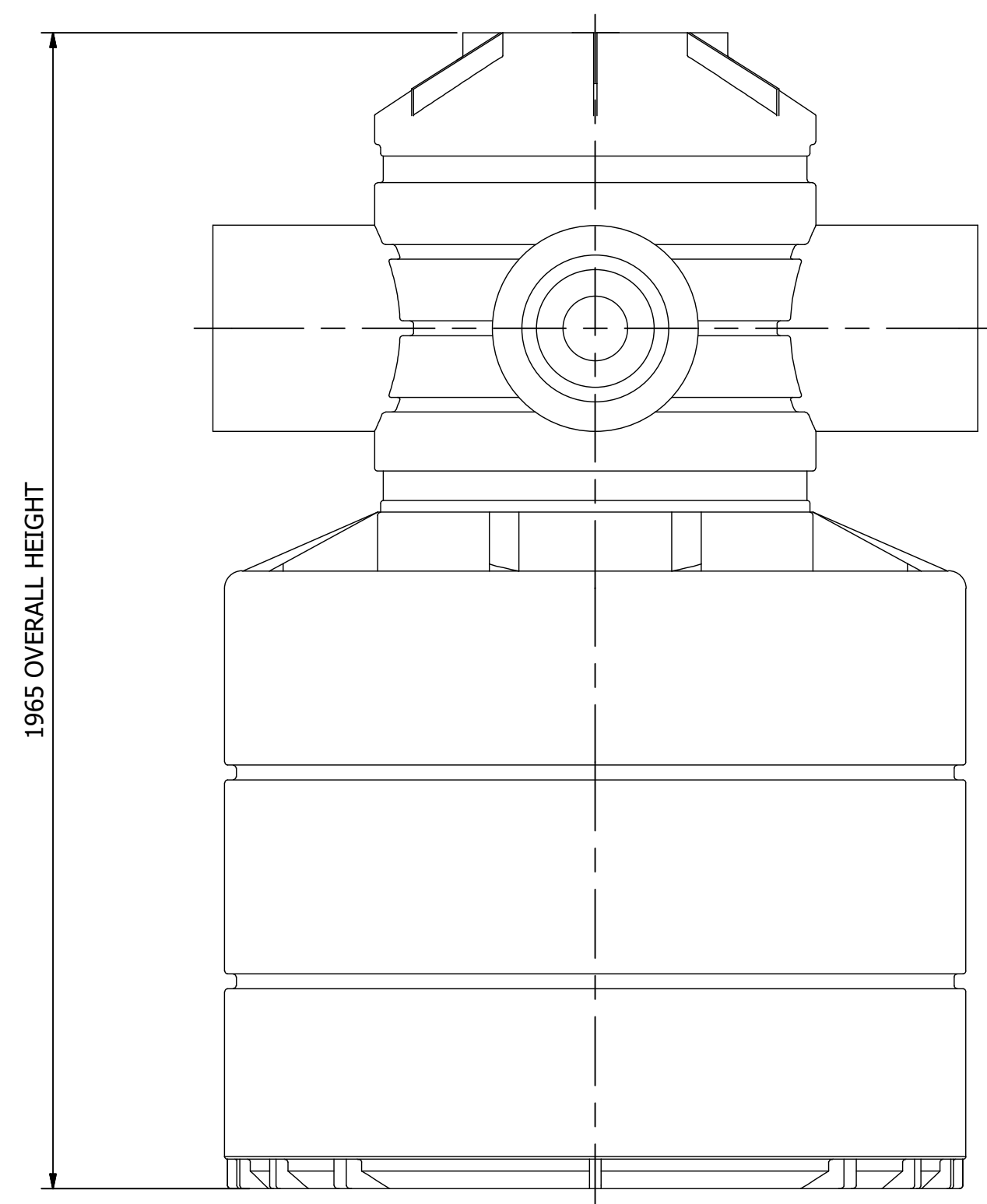
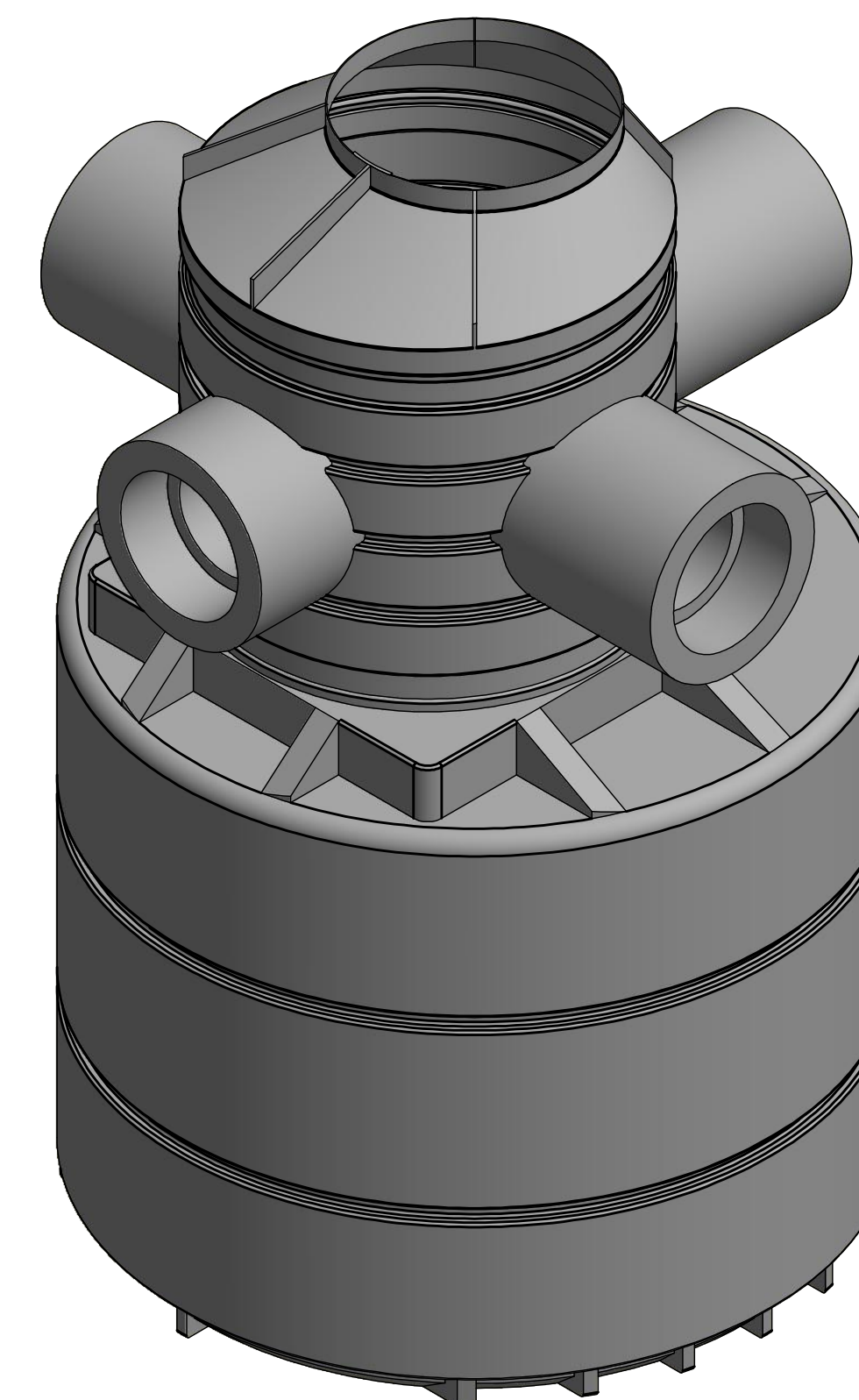
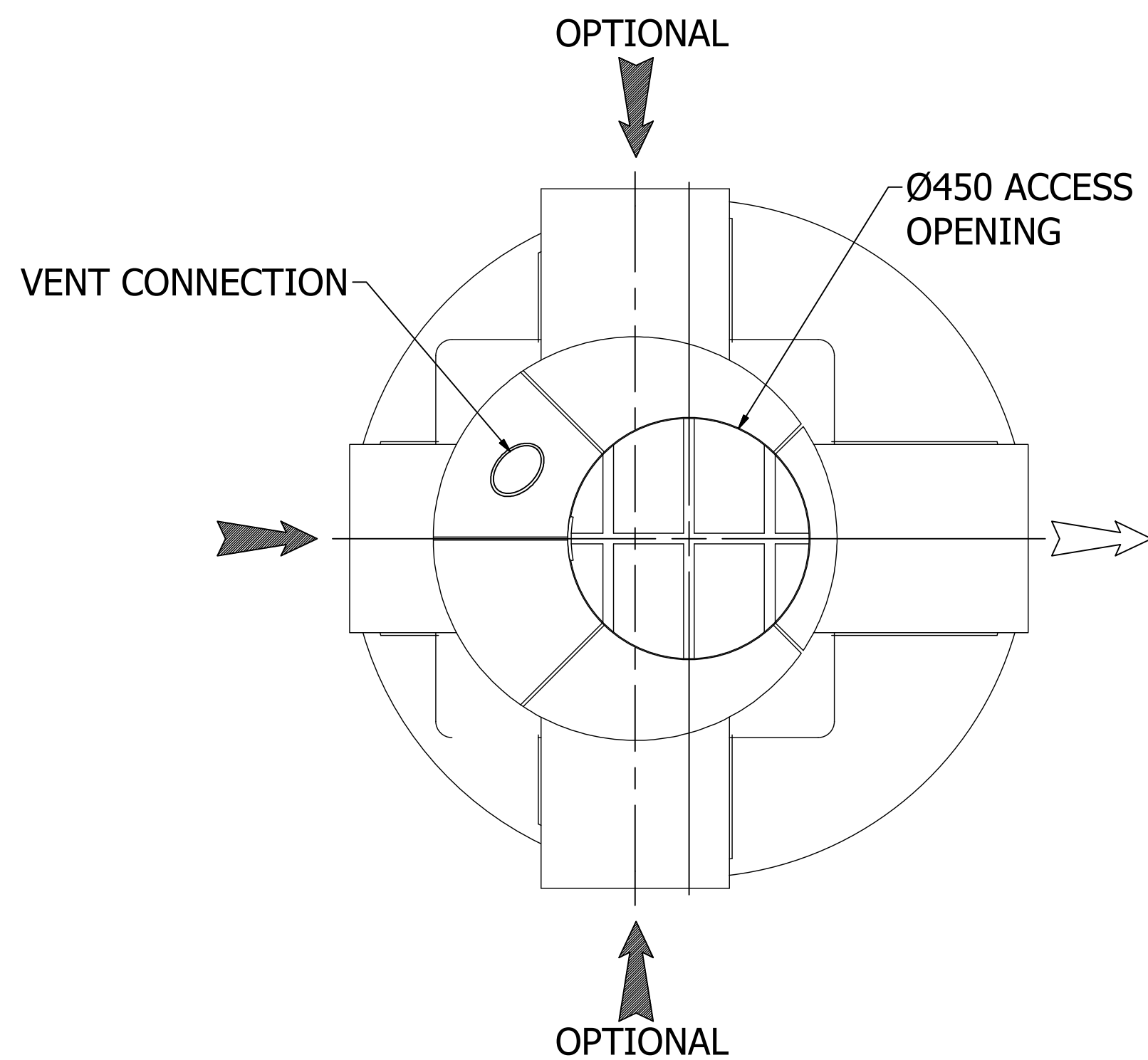


NOTES:

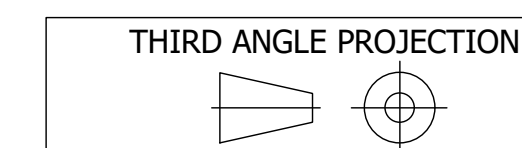
AREA DRAINED :- 5,500m

CONNECTIONS:- 160 - 450 (SEE TABLE)

SILT RETENTION:- 1,000 Litres



PIPE INVERTS		
PIPE Ø	INLET	OUTLET
160mm	625	640
225mm	650	665
300mm	685	700
375mm	720	735
450mm	760	775



THIS DRAWING IS CONFIDENTIAL AND MAY NOT BE USED, COPIED OR DISCLOSED TO ANYONE WITHOUT THE PERMISSION OF ECOTEC

ECOTEC Ecotec, Clooncommons
Castleconnell, Co Limerick
V94PK00, Ireland

PRODUCT CODE		PRODUCT DESCRIPTION						
ETSG1		SILT TRAP						
Drawn By:	T.H.	Checked By:	G.M.	Approved By:	G.M.	REV	1	SHEET 1 OF 1
Drawn Date:	26/10/2020	Checked Date:	27/10/2020	Approved Date:	27/10/2020	SIZE	A3	SCALE 1:5