

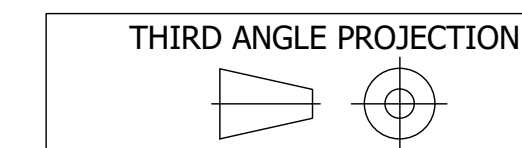
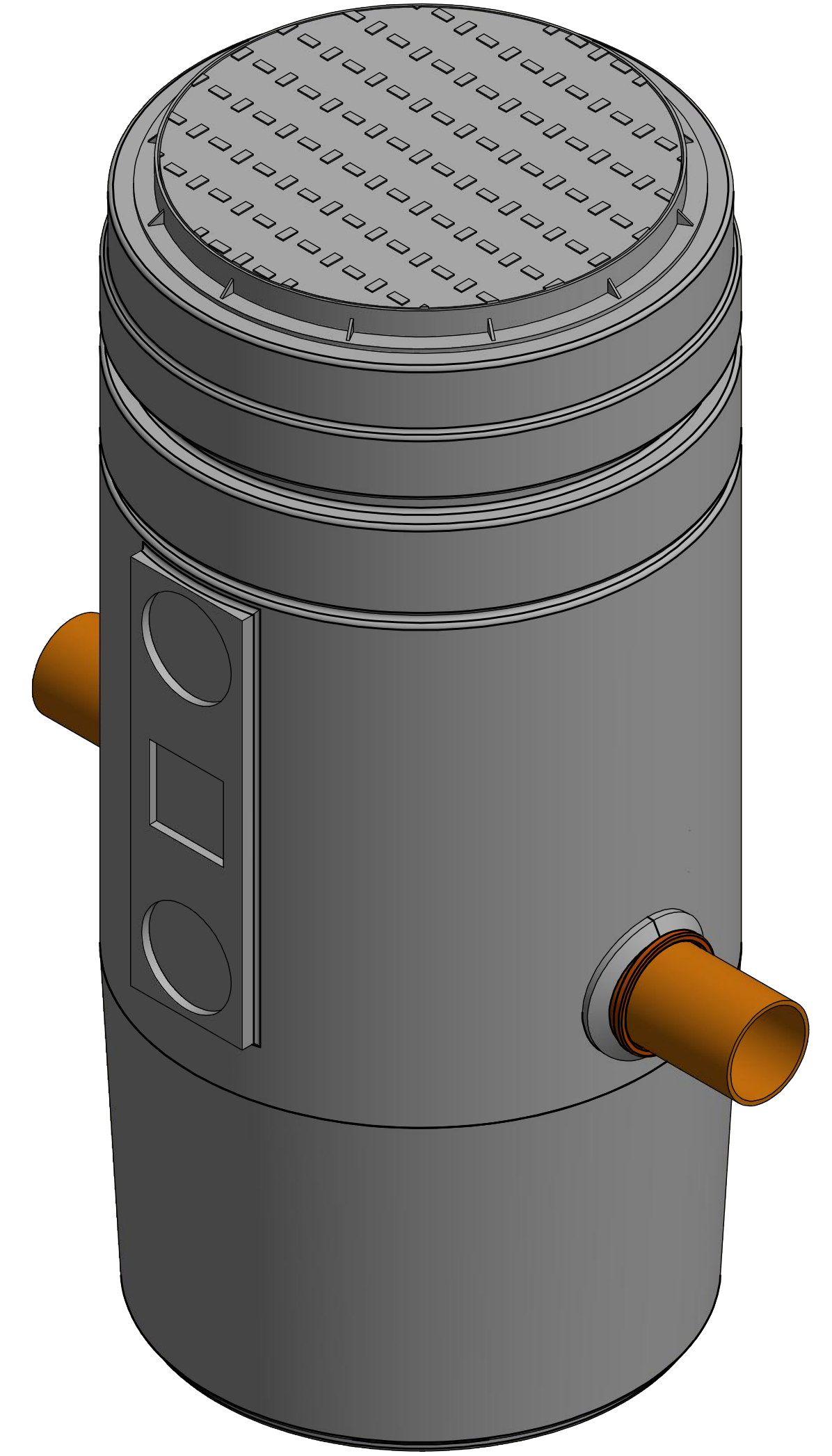
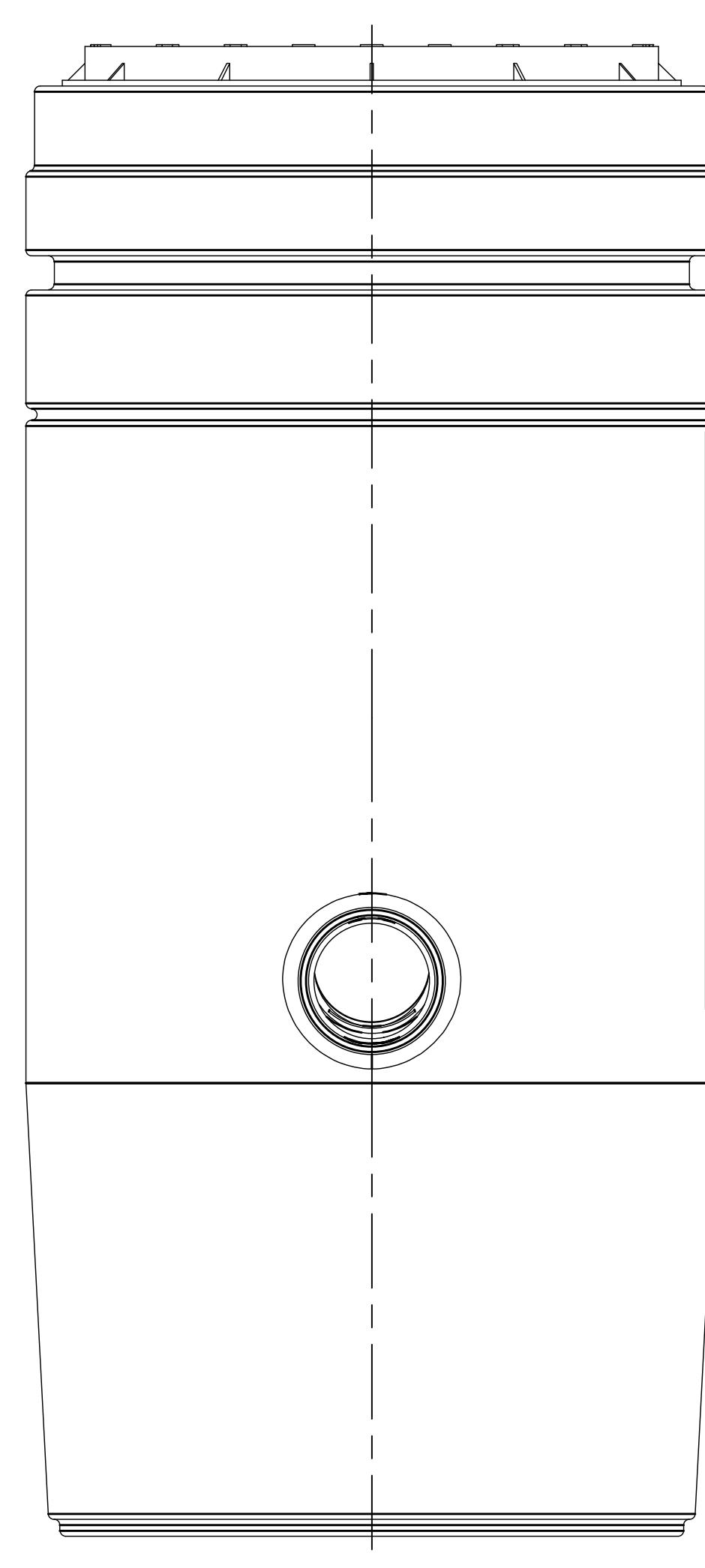
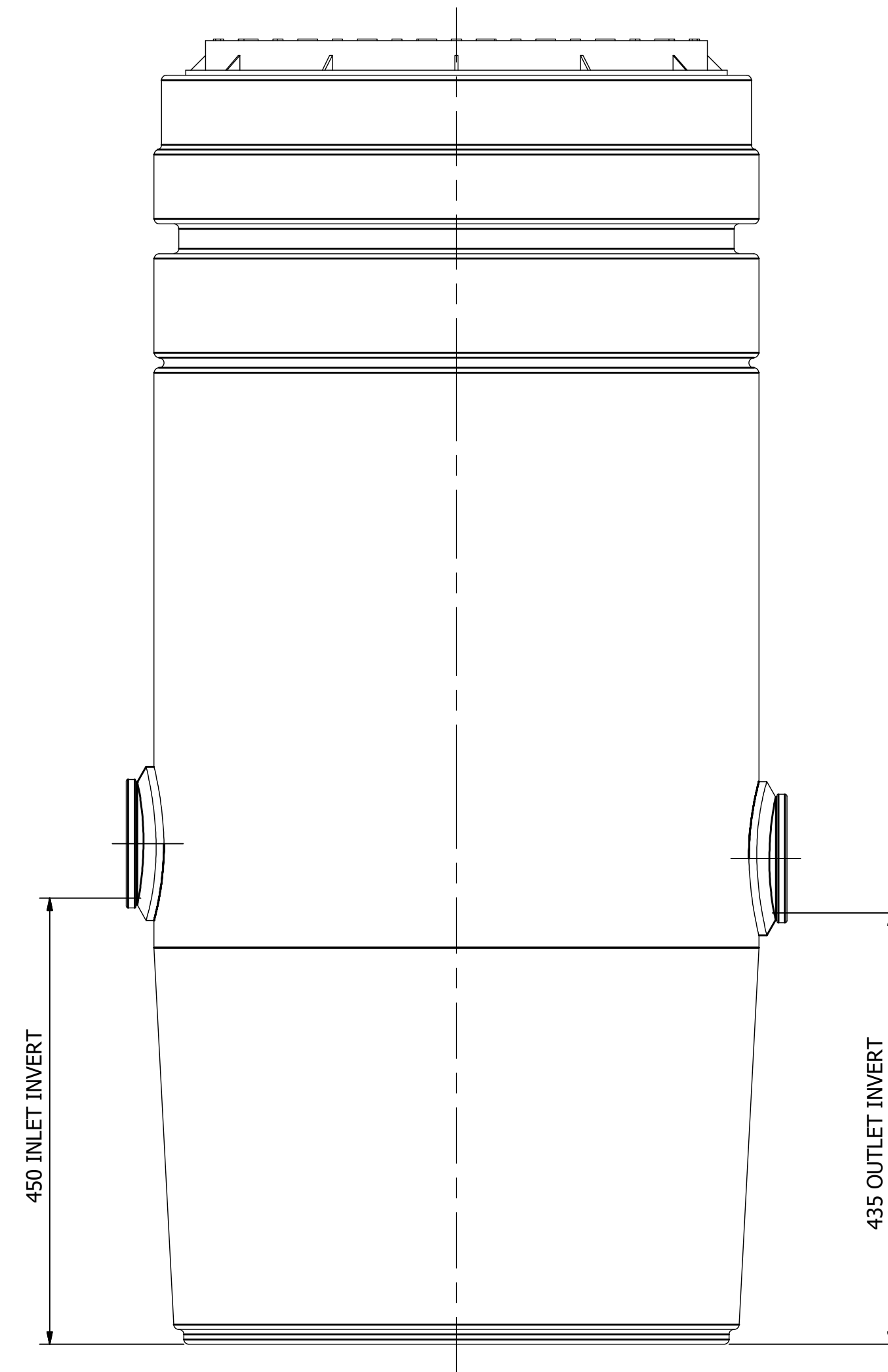
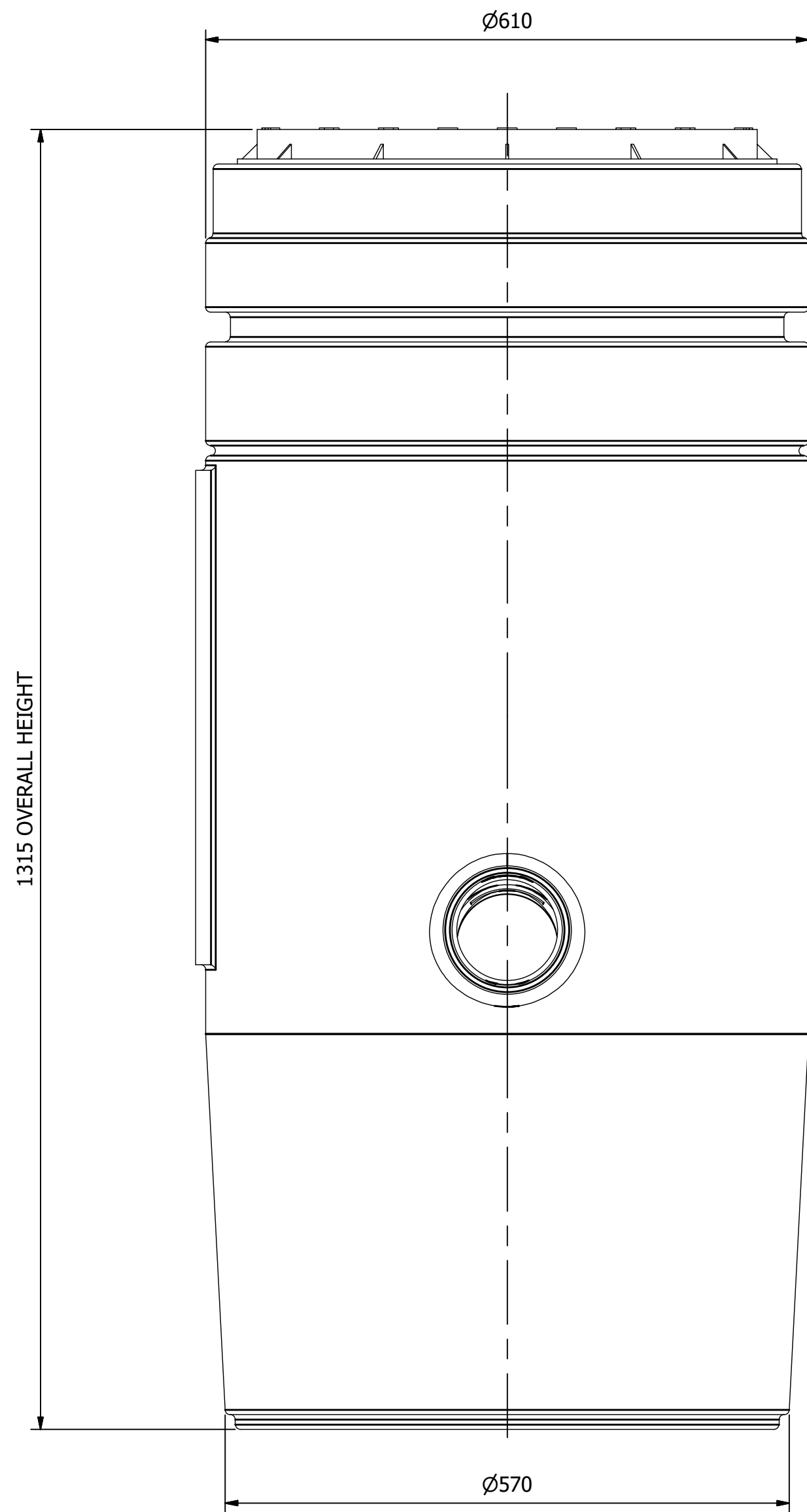
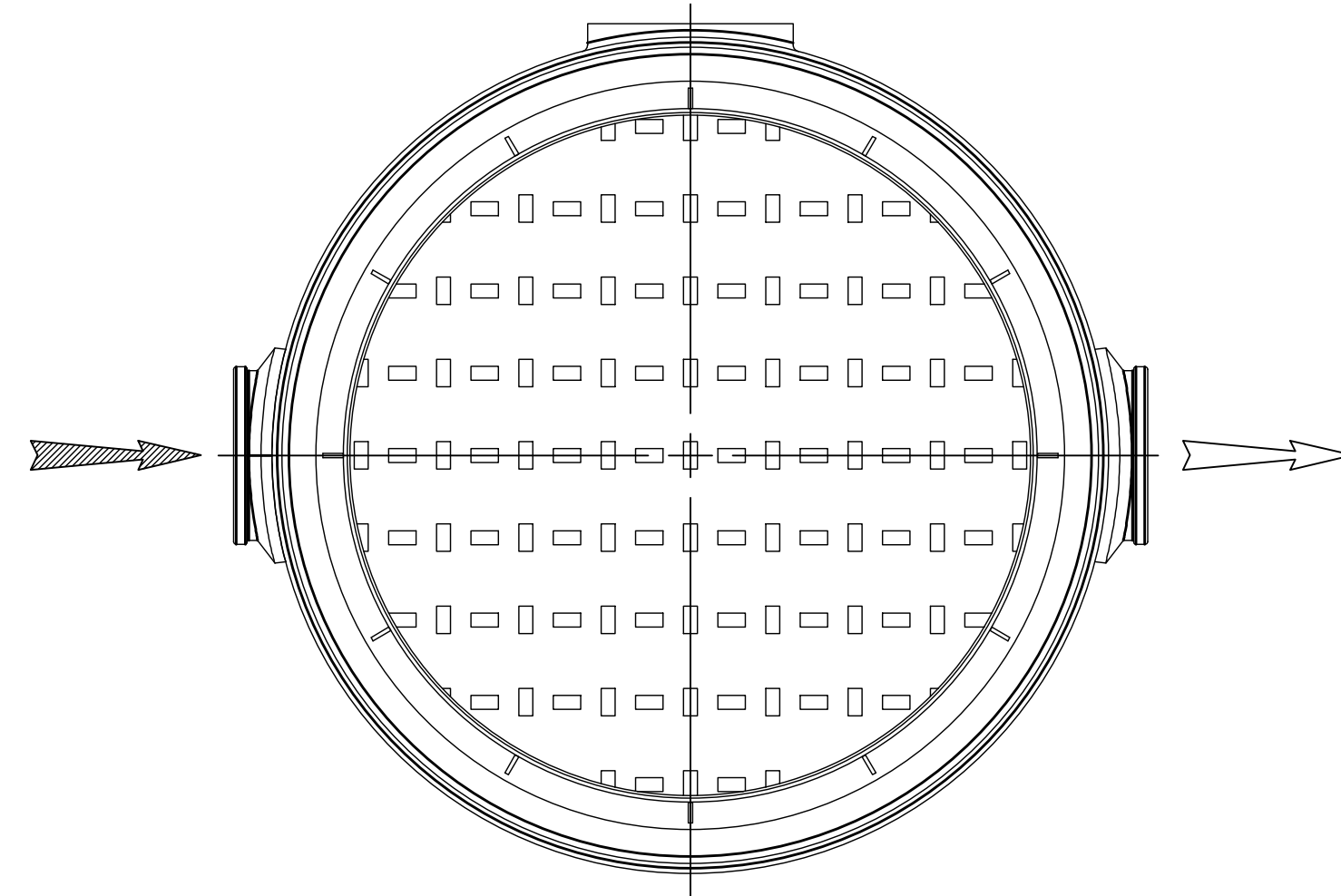
NOTES:

UNITS SUPPLIED WITH 450 PEDESTRIAN RATED INSPECTION COVER AND FRAME.

INLET - FLEX SEAL c/w 110 SOCKET TO SUIT 110 EN1401 PIPE

OUTLET - FLEX SEAL c/w 110 SOCKET TO SUIT 110 EN1401 PIPE

350 LITRE NOMINAL CAPACITY



THIRD ANGLE PROJECTION
THIS DRAWING IS CONFIDENTIAL AND MAY NOT BE USED, COPIED OR DISCLOSED TO ANYONE WITHOUT THE PERMISSION OF ECOTEC

ECOTEC		Ecotec, Clooncommons Castleconnell, Co Limerick V94PK00, Ireland	
PRODUCT CODE ETS110		PRODUCT DESCRIPTION SILT TRAP	
Drawn By:	T.H.	Checked By:	G.M.
Drawn Date:	22/10/2020	Checked Date:	23/10/2020
Approved By:	G.M.	Approved Date:	23/10/2020
REV	1	SIZE	A3
SHEET 1 OF 1		SCALE 1:5	