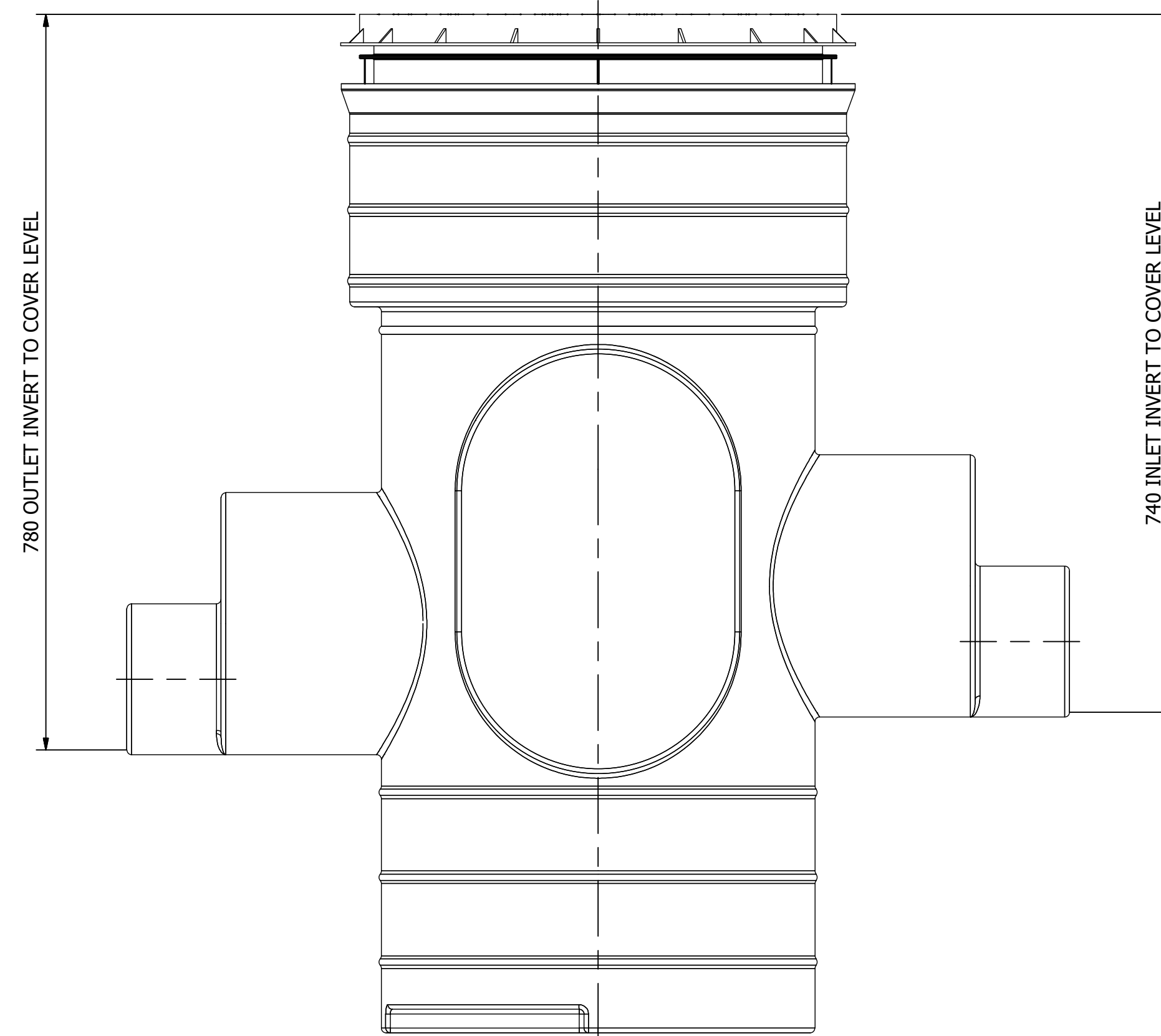
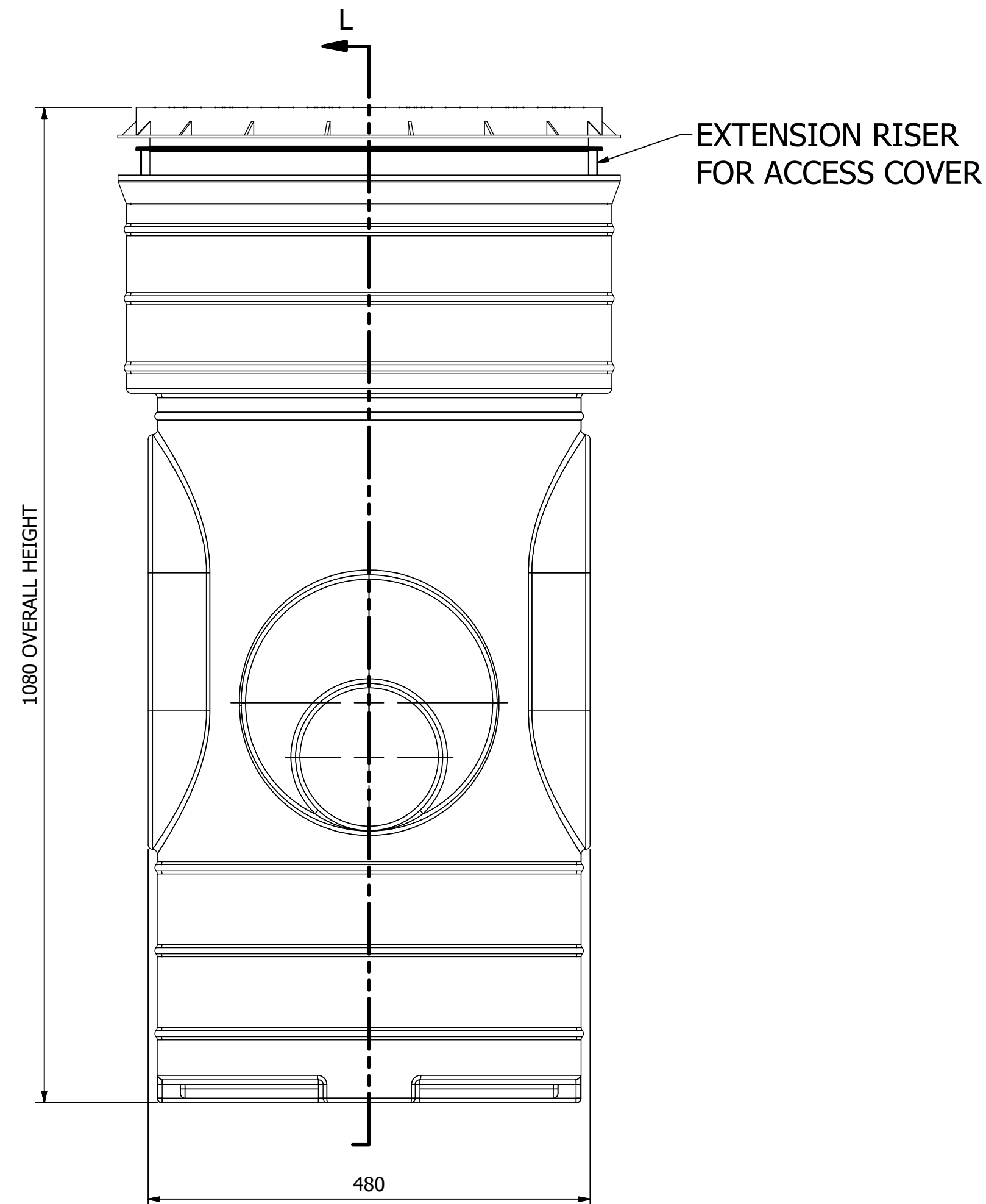
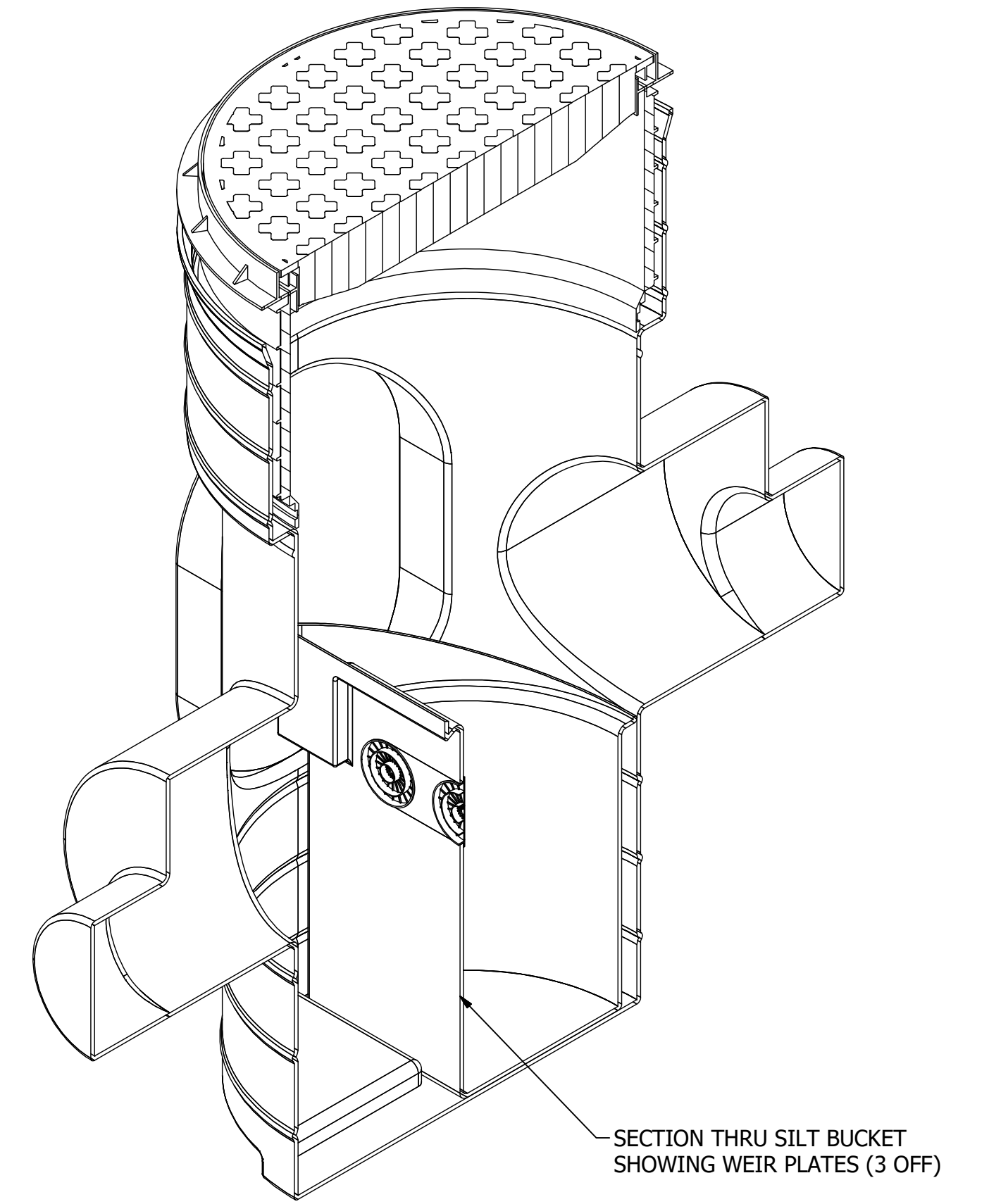
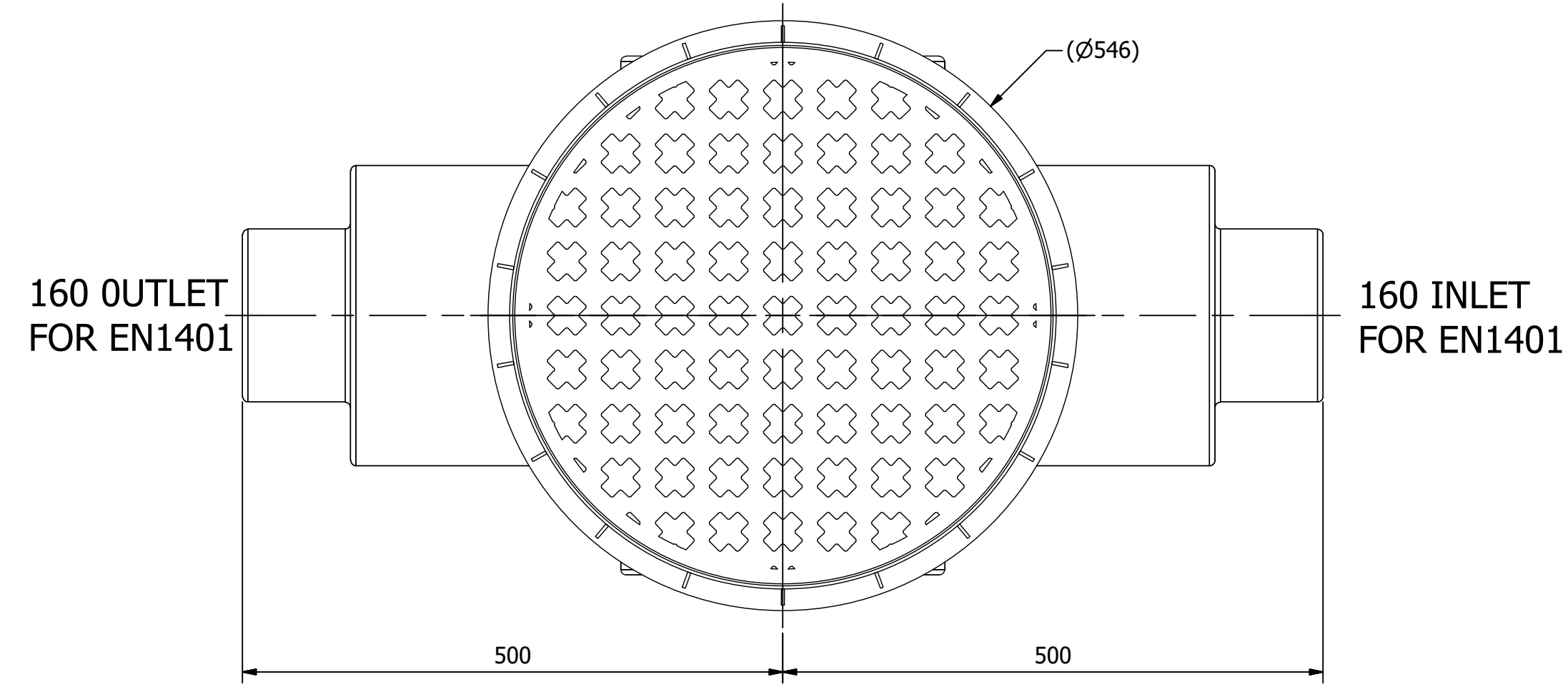


NOTES:

UNITS SUPPLIED WITH 450 PEDESTRIAN RATED INSPECTION COVER AND FRAME.

INLET - 160 SOCKET TO SUIT 160 EN1401 PIPE

OUTLET - 160 SOCKET TO SUIT 160 EN1401 PIPE



THIRD ANGLE PROJECTION

 THIS DRAWING IS CONFIDENTIAL AND MAY NOT BE USED, COPIED OR DISCLOSED TO ANYONE WITHOUT THE PERMISSION OF ECOTEC

ECOTEC		Ecotec, Clooncommons Castleconnell, Co Limerick V94PK00, Ireland	
PRODUCT CODE ETCS160		PRODUCT DESCRIPTION SILT TRAP	
Drawn By:	T.H.	Checked By:	G.M.
Approved By:	G.M.	REV	1
Drawn Date:	23/11/2020	Checked Date:	23/11/2020
Approved Date:	23/11/2020	SIZE	A3
		SHEET 1 OF 1	
		SCALE 1:5	