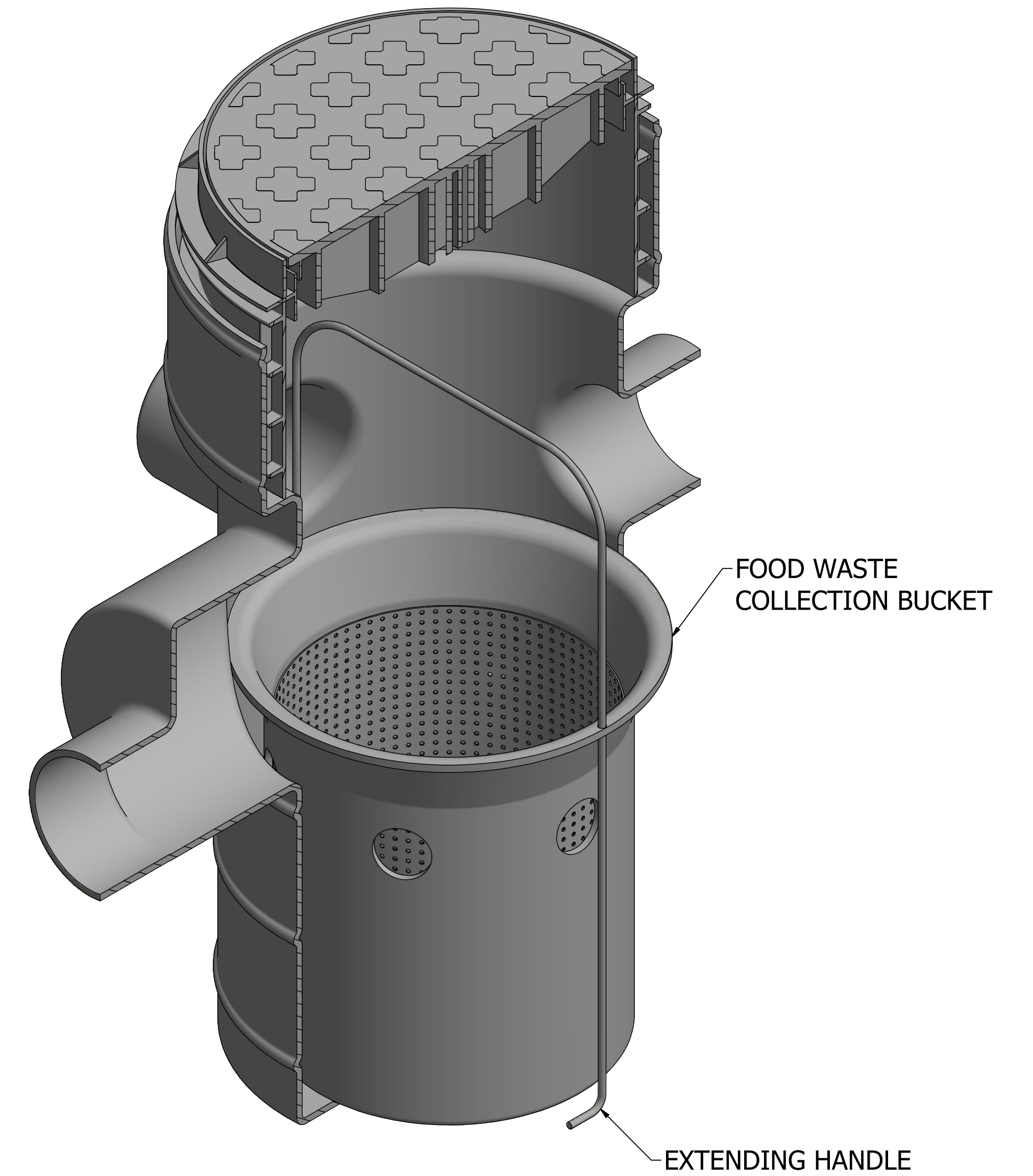


SECTION A-A

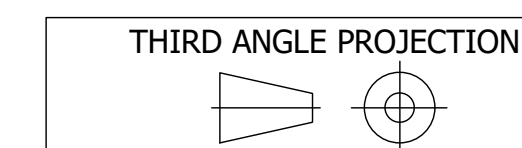


NOTES:

UNITS SUPPLIED WITH 300 PEDESTRIAN RATED INSPECTION COVER AND FRAME.

INLET - TO SUIT 110 EN1401 PIPE

OUTLET - TO SUIT 110 EN1401 PIPE



THIS DRAWING IS CONFIDENTIAL AND MAY NOT BE USED, COPIED OR DISCLOSED TO ANYONE WITHOUT THE PERMISSION OF ECOTEC

**ECOTEC** Ecotec, Clooncommons  
Castleconnell, Co Limerick  
V94PK00, Ireland

PRODUCT CODE <b>ET-DS110</b>		PRODUCT DESCRIPTION <b>DOMESTIC SILT TRAP</b>						
Drawn By:	T.H.	Checked By:	G.M.	Approved By:	G.M.	REV	1	SHEET 1 OF 1
Drawn Date:	16/11/2020	Checked Date:	16/11/2020	Approved Date:	17/11/2020	SIZE	A3	SCALE 1:3.3333333